

JUSTUS

WOOD AND PELLET STOVES, WOOD BURNING COOKERS



More than Fire

2020/2021

Hall of Flame

WOOD STOVES



Centro
Page 12



Voga (W+)
Page 14



Diego W+
Page 16



Tova (W+)
Page 18



Agero W+
Page 20



Agero 2.0
Page 22



Kaskade 2.0
Page 24



Faro W+ 2.0
Page 28



Faro Top 2.0
Page 30



Faro 2.0
Page 32



Meva
Page 34



Mino Top 2.0
Page 36



**Mino Trios
2.0**
Page 38



Mino 2.0
Page 40



Baltrum D
Page 42



Austin 5
Page 44



Austin 7
Page 46



Frisco 2.0
Page 48



Reno R
Page 50



Island 5
Page 52



Island 7
Page 54



**Usedom 5 W+
2.0** Page 56



Usedom 5
Page 58



Usedom 5 D
Page 60



Usedom 7
Page 62



Bavaria
Page 64



Texas
Page 66



Vegas
Page 68

SMART TIPS

EXPLANATION PICTOGRAMS PAGE 6/7
 WHICH HEATING TYPE ARE YOU? PAGE 8-9
 ENERGY EFFICIENCY LABEL PAGE 105
 COLOR OPTIONSPAGE 102/103
 OVERVIEW TECHNICAL DATAPAGE 106/109

WOOD STOVES WITH BOILER FUNCTION



Faro Aqua 2.0
Page 72



Island Aqua
Page 74



PELLET STOVES



Canis XL
Page 80



Canis
Page 82



Sirkos & Sirkos Aqua
Page 84

WOOD BURNING COOKERS



Rustico-90 2.0
Page 88



Rustico-50 2.0
Page 90



Linz-81 2.0
Page 92



ACCESSORIES

WOOD BURNING COOKERSPAGE 94/95
 WOOD STOVES WITH BOILER FUNCTION PAGE 96
 WOOD STOVESPAGE 100
 BASE PLATES PAGE 97
 SMOKE PIPESPAGE 98/99/101



More

More than fire ...

Our unrelenting passion for perfection, quality and reliability. We are burning for our products to ensure your very cozy atmosphere in your home.

More Service ...

With our availability of youtube tutorials for quick solutions when needed and our own service team at hand if you need our personal assistance.

More individuality ...

with our vast choice of innovative designs and color options to individualize the stove perfectly to match to your own home.



than Fire

More warmth ...

for your home. Made possible with our stoves with heat accumulation or boiler system.

More comfort ...

Our know-how and experience ensure that you have reliable warmth combined with user friendliness and a maximum of own comfort.

*We are passionate
for your cozyness*

We have made it our job to develop products with consistent high quality and innovative solutions for today and tomorrow. All our products allow an optimized burning process meeting the latest requirements in Germany. We aim to combine efficiency with a modern, functional design.



Profiled firebox lining

The furnace lining has profiled vermiculite components with high strength and attractive surface. It looks appealing and provides the required turbulence of the gases for clean combustion.



Heat accumulation stone „W+“

Our heat accumulation stone „W+“ is integrated into the product and can save heat and emit it to the room up to 13 hours after the fire has extinguished.



Automatic primary air control

Automatic primary air control of combustion air – with individual setting for wood and brown coal briquettes.



24h continuous operation

A special feature of quality and environmental friendliness. The oven can be used 24 hours. Only use permissible fuels. Please check the product manual!



Room heating capacity

The room heating capacity is used to select the proper performance of your stove.



Efficiency

The efficiency describes the actual usable part of the fuel energy. The residual energy is required for the function of the chimney



JUSTUS safe-locking system

The closed door remains permanently tight. The hydraulic system is almost maintenance free and hardwearing. The door is easy to use and provides a very low noise level.

Please note: Stoves with an approval of the DIBT (German Institute for Building Technology) can be operated independent of ambient air in combination with fresh air, flue pipe and fireplace without requiring additional safety equipment. Please check for additional local requirements in your country.



Multi-point locking system

The multi-point locking prevents warping of the fire door caused by high temperatures. In addition the special sealing prevents from unwanted air supply and keeps the combustion quality stable in the oven.



JUSTUS Snap lock system

Self-closing locking system. When closing the door it locks through spring force and keeps the door safely locked. To open simply use the XXL-bar handle.



External combustion air supply

In modern, more dense buildings with controlled ventilation systems, the combustion air must be supplied from the outside so there can not arise a vacuum in the living room. This requires a separate external air supply.

Please note: The simultaneous operation of a stove with solid fuels and controlled ventilation systems is only permitted, if the stove has an approval under building law as independent of ambient air stove according to DIBT. The stove has to be equipped with a security device e.g. low pressure warning device that has access to the ventilation systems and is able to turn them off in case a vacuum arises.

Please find more information about DIBT in the user manual. Please check for additional local requirements in your country.



Airwash system

A deliberately conducted air flow prevents condensation and deposition of flue gases at the inside of the glass. This keeps the window clear.



Triple-air-system

The special JUSTUS triple-air-system provides for the ideally dosed air supply exactly where it's needed for the combustion. The desired result is an especially clean and efficient combustion.



Water heat exchanger

Water heat exchangers in stoves offer the option to supply a portion of the thermal power produced into the central heating system. As a result a saving in oil and gas and a reduction of CO₂ emissions occur.



Combustion chamber: length of logs

JUSTUS combustion chambers are dimensioned for log lengths from 25 to 40 cm.



Air-flow handle

By air circulation through the ergonomically shaped handle the temperature on the surface is largely reduced.



Which heating

*For me heating is more than warmth.
I want to...*

- ... enjoy the flames
- ... listen to the crackle of the fire
- ... chop my own wood

My stove works well with my interior design.

You are looking for a
wood stove

You can find it from page 12



*I am focussed on good value and
efficiency. I want to...*

- ... protect our environment
- ... save money
- ... enjoy the flames at the same time

My stove offers a double benefit.

You are looking for a
boiler stove

You can find it from page 72



type are you?

I like it clean, easy and need a lot of comfort. I want...

- ... heat at the push of a button
 - ... to keep the house clean
 - ... double use of energy
- My stove is ready when I come home.



You are looking for a
pellet stove
You can find it from page 80



Convenience is of great importance to me. I want...

- ... more than just heating
 - ... to cook like grandma
 - ... double use
- My stove fits to my interior style.



You are looking for a
wood burning cooker
You can find it from page 88



Wood stove sets





With its series of wood stove sets, JUSTUS has created a product line that combines the advantages of a wood stove and a heating fireplace:

- # Highly efficient wood stove sets in modular design.
- # Fast assembly of fireplace insert and concrete elements.
- # Installation flush to the wall without the need of extra insulation.
- # JUSTUS wood stove sets can be disassembled and assembled in another location.
- # Officially authorized wood stoves that meet all requirements for the BImSchV (German regulations).
- # The special lightweight concrete elements (LAC12) must be painted after assembly. This will harden the surface and will improve resistance against concrete cracks. Commercial paints can be used.
- # Temperature resistance up to 300°C.



AN IDEAL SOLUTION

Everyone who likes straight lines and cubic design will find the right stove here. The well designed high quality combustion chamber will ensure a maximum joy of flames.



Centro, mantel concrete slate



AVAILABLE DESIGN:

(1) Concrete slate



(1)

STANDARD SCOPE OF DELIVERY

- Complete wood stove set
- Set of elements made of lightweight concrete (Dispersion paint is mandatory!)
- Closing edge for flush mounted construction
- Possibility for external combustion air connection comes as standard
- Freestanding installation possible

Please order the connecting piece for external air connection separately.

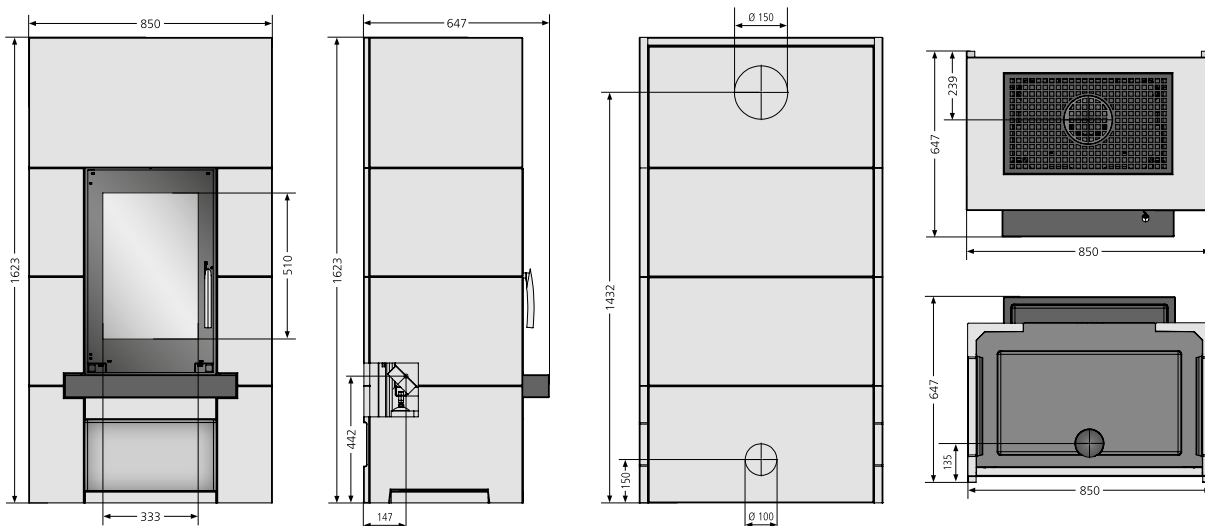
Large glass door



Elements made of lightweight concrete (painting is mandatory!)



Centro, mantel concrete slate



Available design	Order no.	EAN-Code
Centro, mantel concrete slate	4801 90	4250340907637
Optional accessories	Order no.	EAN-Code
Connecting piece for combustion air supply	9200 69	4029807779991

Energy efficiency class		A+
Connection possibility		top / rear
Operation with external air supply		rear / bottom
Nominal heat output	kW	7,0
Weight (incl. packaging)	ca. kg	473
Room heating capability	m ³	144
Length of logs	cm	33
Exhaust gas mass flow	g/s	7,0
Exhaust gas temperature	° C	308
Required discharge pressure	mbar	0,12

For all technical data please see pages 106 to 109

Illustrations are given as indications only. Optical deviations are no defect.



Voga (W+)



Voga W+, steel black including 1 E-Blok



STANDARD SCOPE OF DELIVERY:

- Door for wood storage
 - Profiled firebox lining
 - Air flow handle
 - Possibility for external combustion air connection comes as standard
- Please order the connecting piece for external air connection separately.

AVAILABLE DESIGN:

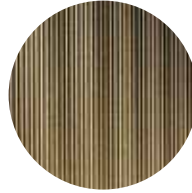
(1) Steel black



(1)



Can be extended by segments



Profiled firebox lining



Air flow handle

Optional

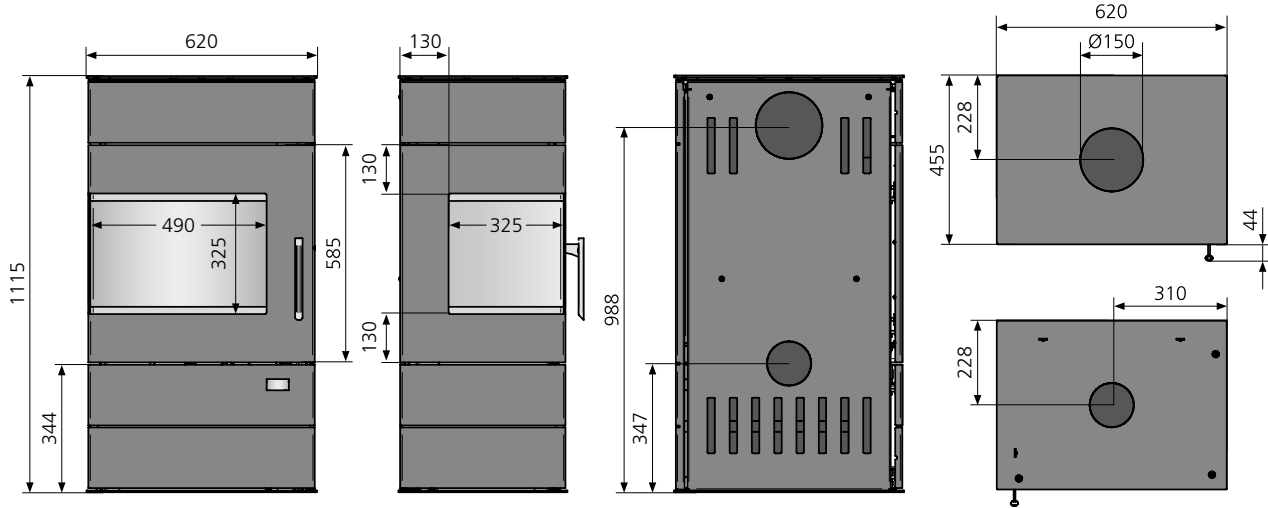
Can be extended by up to 3 additional segments (E-Blok or D-Blok). Height: 170 mm per E-Blok.



Illustration shows E-Blok with heat accumulation stone. D-Blok same illustration without heat accumulation stone.



Voga (W+) Steel black, basic version (without W+)



Available design	Order no.	EAN-Code
Voga (W+) , steel black	5698 11	4250340910941
Optional accessories	Order no.	EAN-Code
E-Blok (extension segment with heat accumulation stone W+)	9215 89	4250340911269
D-Blok (extension segment)	9216 17	4029808596887
Connecting piece for combustion air supply	9200 69	4029807779991

Energy efficiency class		A+
Connection possibility		top / rear
Operation with external air supply		rear / bottom
Nominal heat output	kW	7,0
Weight (incl. packaging)	ca. kg	210
Weight E-Blok	ca. kg	64
Room heating capability	m ³	131
Length of logs	cm	40
Exhaust gas mass flow	g/s	6,6
Exhaust gas temperature	° C	316
Required discharge pressure	mbar	0,12

For all technical data please see pages 106 to 109

Illustrations are given as indications only. Optical deviations are no defect.



Diego W+



Diego W+, steel black with cover plate Soapstone



AVAILABLE DESIGN:
(1) Steel black with cover plate Soapstone



(1)

STANDARD SCOPE OF DELIVERY

- With cover plate in Soapstone
- Heat accumulation stone W+
- Profiled firebox lining
- Air flow handle
- Possibility for external combustion air connection comes as standard

Please order the connecting piece for external air connection separately.



Air flow handle for multi-point locking

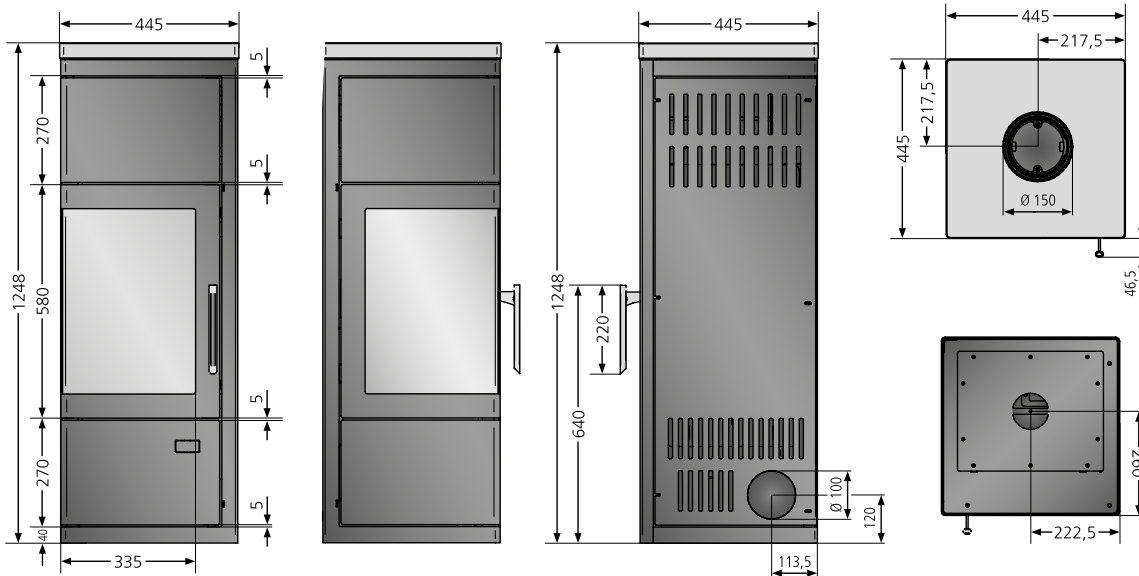


External combustion air connection



Heat accumulation stone W+, approx. 60 kg

Diego W+ Steel black with cover plate Soapstone



Available design		Order no.	EAN-Code
Diego W+, cover plate Soapstone, corpus steel black		4698 11	4250340903783
Optional accessories		Order no.	EAN-Code
Connecting piece for combustion air supply		9200 69	4029807779991
Energy efficiency class		A+	
Connection possibility		top	
Operation with external air supply		rear / bottom	
Nominal heat output	kW	6,0	
Weight (incl. packaging)	ca. kg	212	
Weight heat accumulation stone W+	ca. kg	60	
Room heating capability	m ³	115	
Length of logs	cm	33	
Exhaust gas mass flow	g/s	5,6	
Exhaust gas temperature	°C	273	
Required discharge pressure	mbar	0,12	

For all technical data please see pages 106 to 109

Illustrations are given as indications only. Optical deviations are no defect.



Tova (W+)



Tova (W+), steel black including 1 E-Blok



STANDARD SCOPE OF DELIVERY:

- Door for wood storage
 - Air flow handle
 - Possibility for external combustion air connection comes as standard
- Please order the connecting piece for external air connection separately.

AVAILABLE DESIGN:

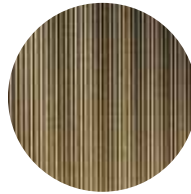
(1) Steel black



(1)



Can be extended by segments



Profiled firebox lining



Air flow handle

Optional

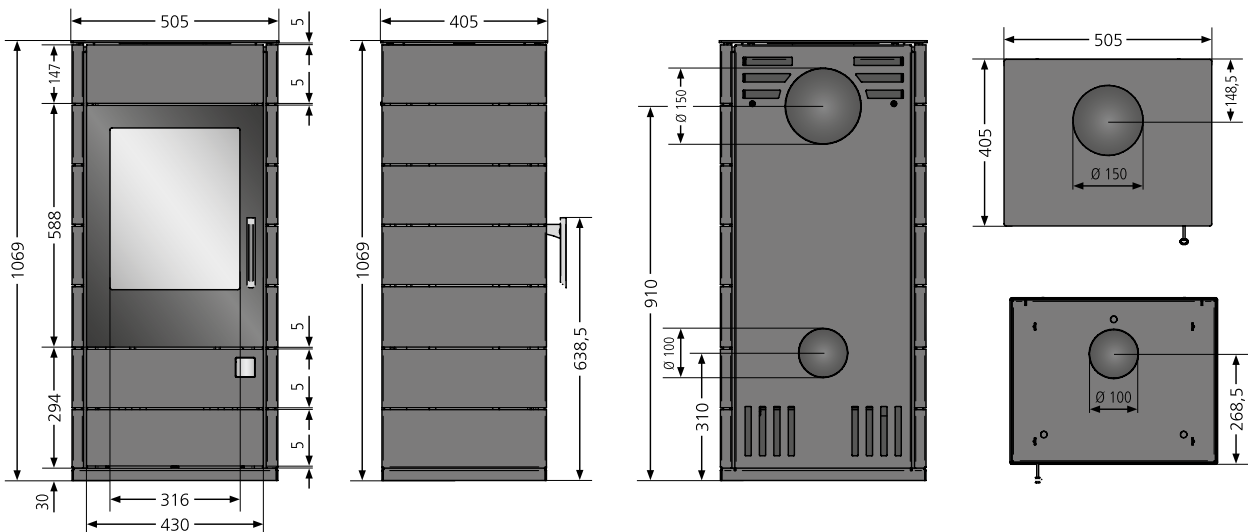
Can be extended by up to 3 additional segments (E-Blok or D-Blok). Height: 147 mm per E-Blok.



Illustration shows E-Blok with heat accumulation stone. D-Blok same illustration without heat accumulation stone.



Tova (W+), steel black, basic version (without W+)



Available design	Order no.	EAN-Code
Tova (W+), steel black	5696 11	4250340911276
Optional accessories	Order no.	EAN-Code
E-Blok (extension segment with W+)	9215 87	4250340911290
D-Blok (extension segment)	9216 18	4250340911559
Connecting piece for combustion air supply	9200 69	4029807779991

Energy efficiency class		A+
Connection possibility		top / rear
Operation with external air supply		rear / bottom
Nominal heat output	kW	6,0
Weight (incl. packaging)	ca. kg	126
Weight E-Blok	ca. kg	30
Room heating capability	m ³	115
Length of logs	cm	30
Exhaust gas mass flow	g/s	6,1
Exhaust gas temperature	° C	260
Required discharge pressure	mbar	0,12

For all technical data please see pages 106 to 109

Illustrations are given as indications only. Optical deviations are no defect.



Agero W+
with Heat accumulation
stone W+

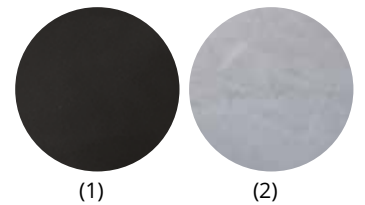


Agero W+ corpus steel black



AVAILABLE DESIGNS:

- (1) Steel black
- (2) Soapstone, corpus steel black



STANDARD SCOPE OF DELIVERY

- Door for wood storage
- Air flow handle
- Heat accumulation stone W+
- Possibility for external combustion air connection comes as standard

The connecting piece for external combustion air is included in the scope of delivery and is already mounted.



Agero W+, Soapstone, corpus steel black



Extra large combustion chamber for 50 cm long wood logs, closed wood storage



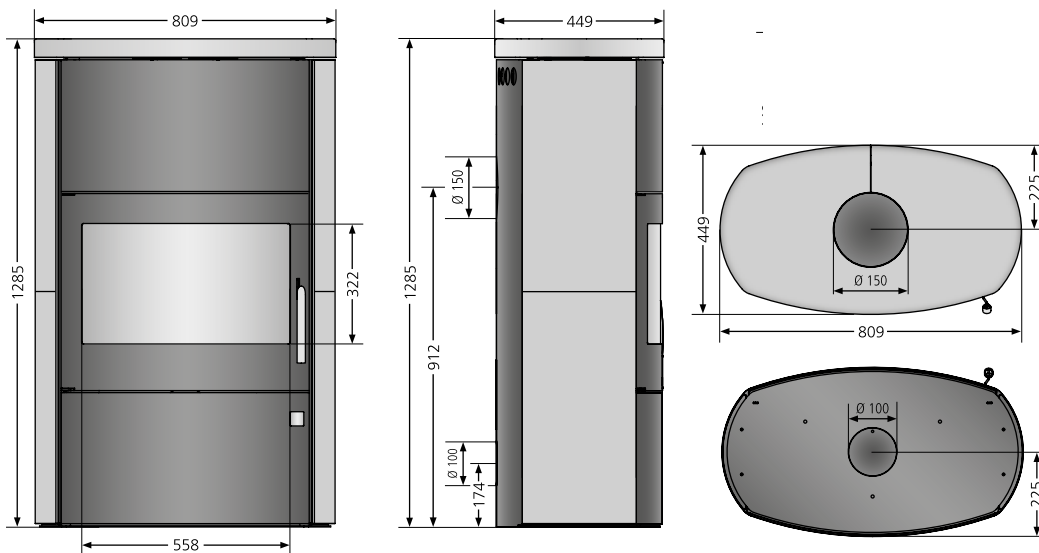
Air flow handle



External combustion air connection



Heat accumulation stone W+, approx. 87 kg



Available designs	Order no.	EAN-Code
Agero W+, steel black	5492 11	4250340909402
Agero W+, Soapstone, corpus steel black	5492 23	4250340909419
Energy efficiency class		A
Connection possibility		top / rear
Operation with external air supply		rear / bottom
Nominal heat output	kW	7,0
Weight (incl. packaging) steel / stone	ca. kg	261 / 365
Heat accumulation stone W+	ca. kg	87
Room heating capability	m ³	144
Length of logs	cm	50
Exhaust gas mass flow	g/s	6,7
Exhaust gas temperature	° C	389
Required discharge pressure	mbar	0,12

For all technical data please see pages 106 to 109

Illustrations are given as indications only. Optical deviations are no defect.



Agero 2.0

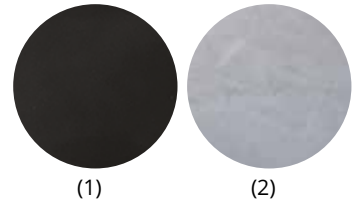


Agero 2.0, Soapstone, corpus steel black

- 24h
- 144 m³
- >75 %
- 50cm
- °C

AVAILABLE DESIGNS:

- (1) Steel black
(2) Soapstone, corpus steel black



STANDARD SCOPE OF DELIVERY

- Door for wood storage
- Air flow handle
- Possibility for external combustion air connection comes as standard

The connecting piece for external combustion air is included in the scope of delivery and is already mounted.

Extra large combustion chamber for 50 cm long wood logs, closed wood storage



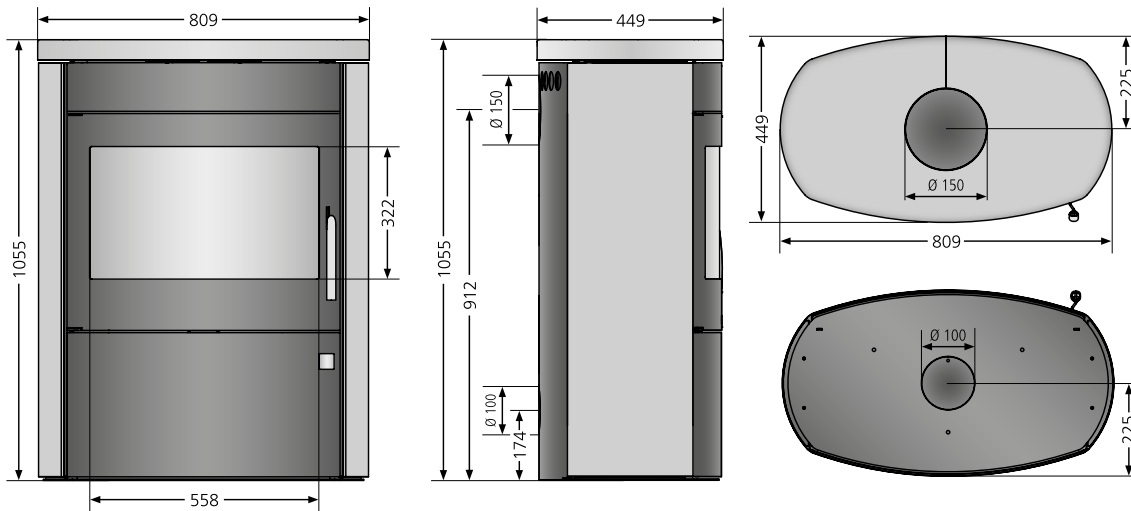
Air flow handle



External combustion air connection



Agero 2.0, steel black



Available designs	Order no.	EAN-Code
Agero 2.0, steel black	5491 11	4250340909891
Agero 2.0, Soapstone, corpus steel black	5491 23	4250340909907
Energy efficiency class		A
Connection possibility		top / rear
Operation with external air supply		rear / bottom
Nominal heat output	kW	7,0
Weight (incl. packaging) steel / stone	ca. kg	160 / 248
Room heating capability	m ³	144
Length of logs	cm	50
Exhaust gas mass flow	g/s	6,7
Exhaust gas temperature	° C	389
Required discharge pressure	mbar	0,12

For all technical data please see pages 106 to 109

Illustrations are given as indications only. Optical deviations are no defect.



Kaskade 2.0

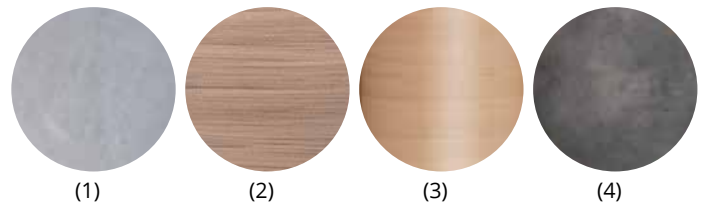


Kaskade 2.0, Soapstone, corpus steel grey



AVAILABLE DESIGNS:

- (1) Soapstone
- (2) Ceramic Grappa
- (3) Ceramic Corretto
- (4) Ceramic Namib



Kaskade 2.0, Ceramic Grappa, corpus steel grey



Ergonomic handle

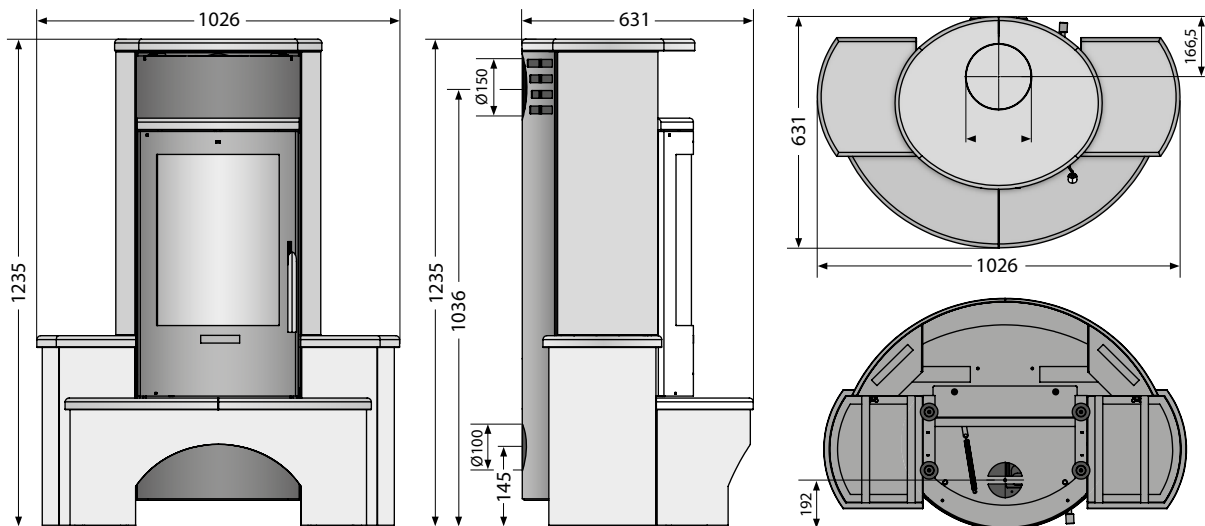


External combustion air connection

STANDARD SCOPE OF DELIVERY

- Profiled firebox lining
- Ergonomic handle
- Possibility for external combustion air connection comes as standard

The connecting piece for external combustion air is included in the scope of delivery and is already mounted.



Available designs	Order no.	EAN-Code
Kaskade 2.0, Soapstone, corpus steel grey	4667 22	4250340911337
Kaskade 2.0, Ceramic Grappa, corpus steel grey	4667 71	4250340911344
Kaskade 2.0, Ceramic Corretto, corpus steel grey	4667 70	4250340911351
Kaskade 2.0, Ceramic Namib, corpus steel grey	4667 80	4250340911368

Energy efficiency class		A+
Connection possibility		top / rear
Operation with external air supply		rear / bottom
Nominal heat output	kW	6,5
Weight (incl. packaging)	ca. kg	180
Room heating capability	m ³	131
Length of logs	cm	33
Exhaust gas mass flow	g/s	6,2
Exhaust gas temperature	°C	282
Required discharge pressure	mbar	0,12

For all technical data please see pages 106 to 109

*Wood stoves with
accumulation*



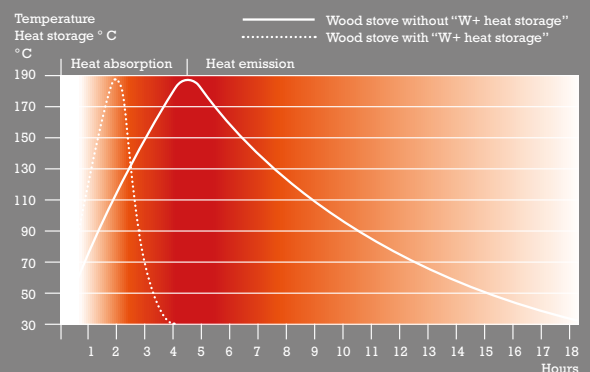
heat stones

... stores the heat longer



W+ : THE POWER PACKAGE FOR LONGER HEAT

- The thermal storage mass is made of high-quality HST-fireclay
- Extremely high density of 2,9 kg / dm³
- Almost constant thermal conductivity of 1,2 W / mK
- Application temperature up to 1200°C
- Provides uniform temperature distribution in the room without high temperature peaks
- When fully charged, the thermal storage mass can provide heat up to 12 hours.





*Faro W+ 2.0
with heat accumulation stone W+*

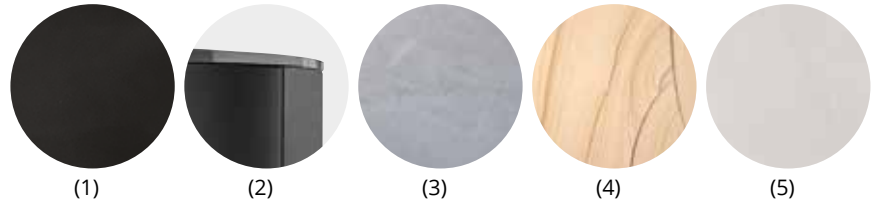


Faro W+ 2.0, Sandstone, corpus steel black



AVAILABLE DESIGNS:

- Cover plate steel black, corpus steel black
- (2) Cover plate glass, corpus steel black
- (3) Cover plate Soapstone, corpus steel black
- (3) Soapstone, corpus steel grey
- (3) Soapstone, corpus steel black
- (4) Sandstone, corpus steel black
- (5) Limestone Bianco, corpus steel black



STANDARD SCOPE OF DELIVERY

- Stone version comes in combination of cover plate and panel inlay
- Profiled firebox lining
- Heat accumulation stone W+
- Solid cast iron door
- Solid cast iron wood storage door
- JUSTUS Snap lock system
- Air flow XXL bar handle
- Possibility for external combustion air connection comes as standard

Please order the connecting piece for external air connection separately.

Air flow XXL bar handle with Snap lock system



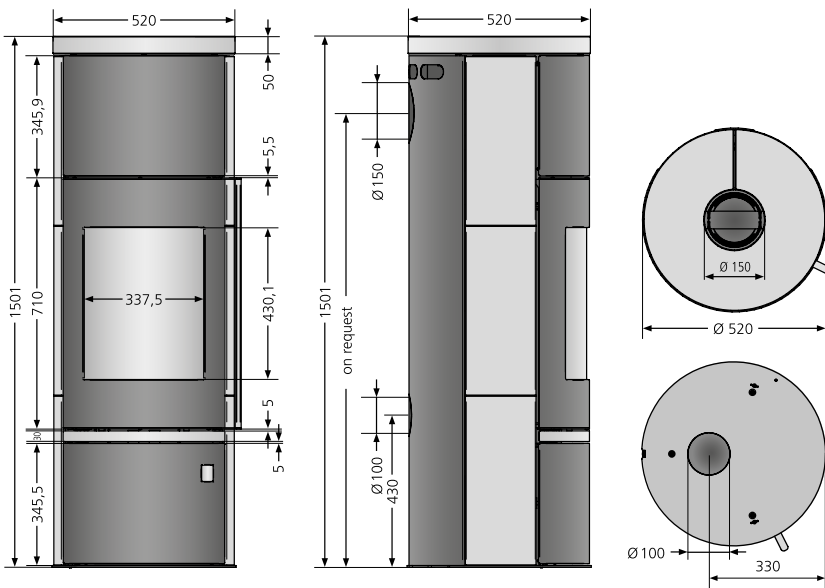
Profiled vermiculite firebox and cast iron base



Heat accumulation stone W+, approx. 85 kg



Faro W+ 2.0, cover plate glass, corpus steel black



Available designs	Order no.	EAN-Code
Faro W+ 2.0, cover plate steel black, corpus steel black	5693 10	4250340909426
Faro W+ 2.0, cover plate glass, corpus steel black	5693 30	4250340909433
Faro W+ 2.0, cover plate Soapstone, corpus steel black	5693 11	4250340909440
Faro W+ 2.0, Soapstone, corpus steel grey	5693 22	4250340909457
Faro W+ 2.0, Soapstone, corpus steel black	5693 23	4250340909464
Faro W+ 2.0, Sandstone, corpus steel black	5693 42	4250340909488
Faro W+ 2.0, Limestone Bianco, corpus steel black	5693 89	4250340909471
Optional accessories	Order no.	EAN-Code
Connecting piece for combustion air supply	9200 69	4029807779991
Rotating tray Ø 510 mm steel black (for top connection)	9214 73	4029808539433
Rotating tray Ø 510 mm steel grey (for top connection)	9215 04	4029808546004
90° pipe bend for rear connection	9212 84	4250340901253

Energy efficiency class		A+
Connection possibility		top / rear
Operation with external air supply		rear / bottom
Nominal heat output	kW	7,0
Weight (incl. packaging) steel / glass / stone	ca. kg	260 / 264 / 328
Weight heat accumulation stone W+	ca. kg	85
Room heating capability	m ³	144
Length of logs	cm	33
Exhaust gas mass flow	g/s	6,4
Exhaust gas temperature	° C	302
Required discharge pressure	mbar	0,12

For all technical data please see pages 106 to 109

Illustrations are given as indications only. Optical deviations are no defect.



Faro Top 2.0

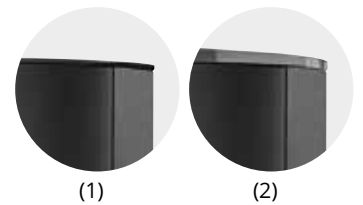


Faro Top 2.0, steel black with cover plate steel black



AVAILABLE DESIGNS:

- (1) Cover plate steel black, corpus steel black
- (2) Cover plate glass, corpus steel black



(1)

(2)

STANDARD SCOPE OF DELIVERY

- Solid cast iron base with cast iron grid
- Solid cast iron door
- Solid cast iron wood storage door
- Profiled firebox lining
- Possibility for external combustion air connection comes as standard

Please order the connecting piece for external air connection separately.



Faro Top 2.0, cover plate glass, corpus steel black



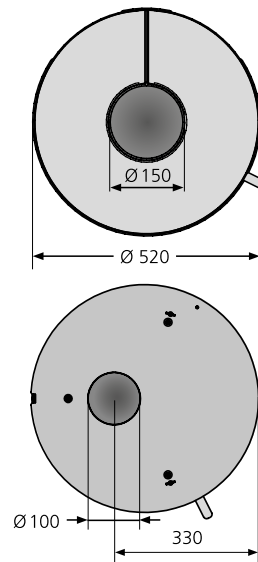
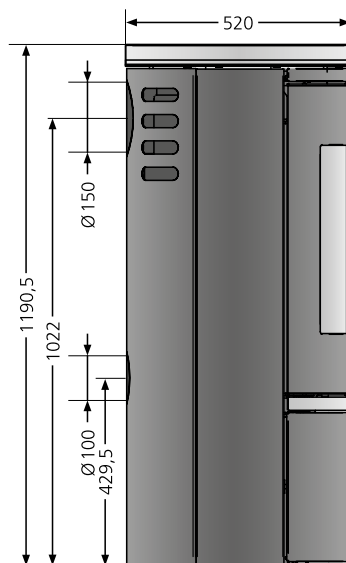
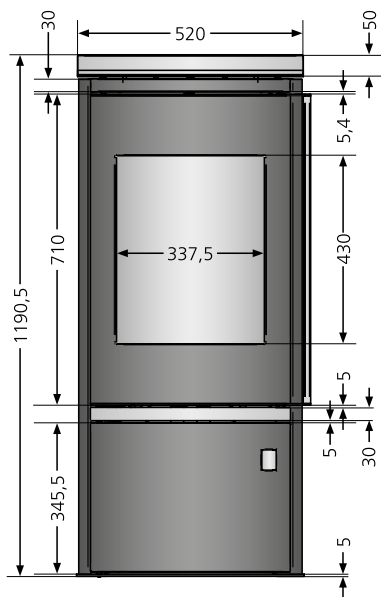
Air flow XXL bar handle with Snap lock system



Solid cast iron wood storage door



Profiled vermiculite firebox and cast iron grid



Available designs	Order no.	EAN-Code
Faro Top 2.0, cover plate steel black, corpus steel black	5686 50	4250340909495
Faro Top 2.0, cover plate glass, corpus steel black	5686 51	4250340909877
Optional accessories	Order no.	EAN-Code
Connecting piece for combustion air supply	9200 69	4029807779991
Rotating tray steel black, Ø 510 mm (for top connection)	9214 73	4029808539433

Energy efficiency class		A+
Connection possibility		top / rear
Operation with external air supply		rear / bottom
Nominal heat output	kW	6,0
Weight (incl. packaging) steel / glass	ca. kg	154 / 154
Room heating capability	m ³	124
Length of logs	cm	33
Exhaust gas mass flow	g/s	6,4
Exhaust gas temperature	° C	262
Required discharge pressure	mbar	0,12

For all technical data please see pages 106 to 109

Illustrations are given as indications only. Optical deviations are no defect.



Faro 2.0



Faro 2.0, steel black with cover plate Sandstone



AVAILABLE DESIGNS:

- (1) Cover plate steel black, corpus steel black
- (2) Cover plate glass, corpus steel black
- (3) Soapstone, corpus steel grey
- (3) Soapstone, corpus steel black
- (4) Sandstone, corpus steel black
- (5) Limestone cream, corpus steel black



Air flow bar handle with Snap lock system



Profiled vermiculite firebox and cast iron grid



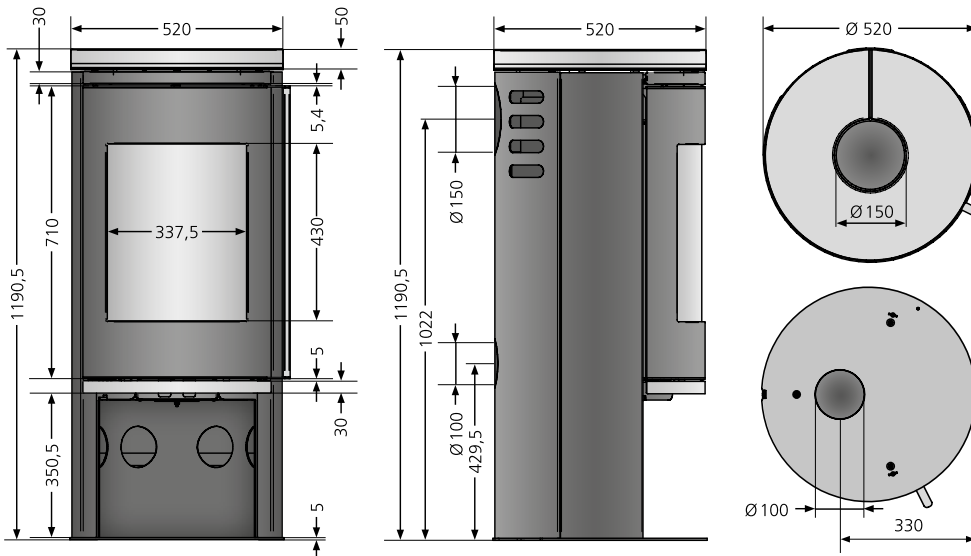
STANDARD SCOPE OF DELIVERY

- Profiled firebox lining
- Solid cast iron base with cast iron grid
- Solid cast iron door
- Possibility for external combustion air connection comes as standard

Please order the connecting piece for external air connection separately.



Faro 2.0, steel black with cover plate Limestone cream



Available designs	Order no.	EAN-Code
Faro 2.0, cover plate steel black, corpus steel black	5686 10	4250340909501
Faro 2.0, cover plate glass, corpus steel black	5686 30	4250340909884
Faro 2.0, cover plate Soapstone, corpus steel grey	5686 29	4250340909518
Faro 2.0, cover plate Soapstone, corpus steel black	5686 11	4250340909525
Faro 2.0, cover plate Sandstone, corpus steel black	5686 42	4250340909532
Faro 2.0, cover plate Limestone cream, corpus steel black	5686 87	4250340909549
Optional accessories	Order no.	EAN-Code
Connecting piece for combustion air supply	9200 69	4029807779991
Rotating tray steel black, Ø 510 mm (for top connection)	9214 73	4029808539433
Rotating tray steel grey, Ø 510 mm (for top connection)	9215 04	4029808546004

Energy efficiency class		A+
Connection possibility		top / rear
Operation with external air supply		rear / bottom
Nominal heat output	kW	6,0
Weight (incl. packaging) steel / glass / stone	ca. kg	143 / 143 / 164
Room heating capability	m ³	124
Length of logs	cm	33
Exhaust gas mass flow	g/s	6,4
Exhaust gas temperature	°C	262
Required discharge pressure	mbar	0,12

For all technical data please see pages 106 to 109

Illustrations are given as indications only. Optical deviations are no defect.

JUSTUS

WOOD STOVE



A

AVAILABLE FROM AUGUST 2020

Meva



Meva, cover plate Ceramic Grappa, corpus steel black





Meva, steel black, cover plate glass



Air flow bar handle with Snap lock system and Triple window



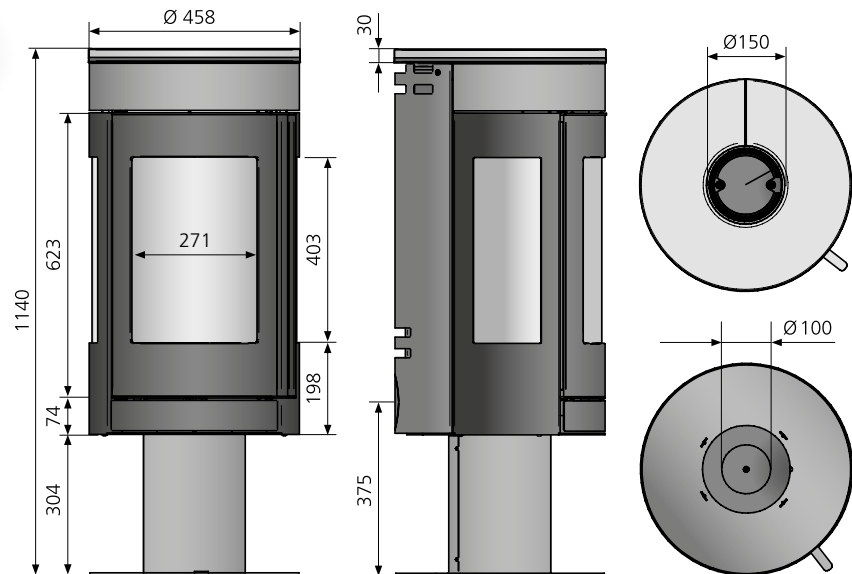
External combustion air connection

AVAILABLE DESIGNS:

- (1) Steel black
- (2) Cover plate glass, corpus steel black
- (3) Soapstone, corpus steel black
- (4) Sandstone, corpus steel black
- (5) Ceramic Grappa, corpus steel black
- (6) Ceramic Limestone Bianco, corpus steel black
- (7) Ceramic Bordeaux red, corpus steel black

STANDARD SCOPE OF DELIVERY

- Solid cast iron door
 - Air flow bar handle with Snap lock system
 - Profiled firebox lining
 - Possibility for external combustion air connection comes as standard
- Please order the connecting piece for external air connection separately. The stove Meva is not tested according to § 15a.



Available designs	Order no.	EAN-Code
Meva, steel black	4827 11	4250340911757
Meva, cover plate glass, corpus steel black	4827 30	4250340911764
Meva, cover plate Soapstone, corpus steel black	4827 22	4250340911771
Meva, cover plate Sandstone, corpus steel black	4827 42	4250340911788
Meva, cover plate Ceramic Grappa, corpus steel black	4827 32	4250340911795
Meva, cover plate Ceramic Limestone Bianco, corpus steel black	4827 87	4250340911818
Meva, cover plate Ceramic Bordeaux red, corpus steel black	4827 37	4250340911801
Optional accessories	Order no.	EAN-Code
Connecting piece for combustion air supply	9200 69	4029807779991
Energy efficiency class	A	
Connection possibility	top	
Operation with external air supply	rear / bottom	
Nominal heat output	kW	5,5
Weight (incl. packaging) steel / glass and stone	ca. kg	98 / 101 / 107
Room heating capability	m ³	88
Length of logs	cm	30
Exhaust gas mass flow	g/s	6,0
Exhaust gas temperature	°C	282
Required discharge pressure	mbar	0,12

For all technical data please see pages 106 to 109

Illustrations are given as indications only. Optical deviations are no defect.



Mino Top 2.0



Mino Top 2.0, steel black



AVAILABLE DESIGN:

(1) Steel black



(1)

STANDARD SCOPE OF DELIVERY

- Solid cast iron base with cast iron grid
- Solid cast iron door
- Solid cast iron wood storage door
- Possibility for external combustion air connection comes as standard

Please order the connecting piece for external air connection separately.

Air flow bar handle with Snap lock system



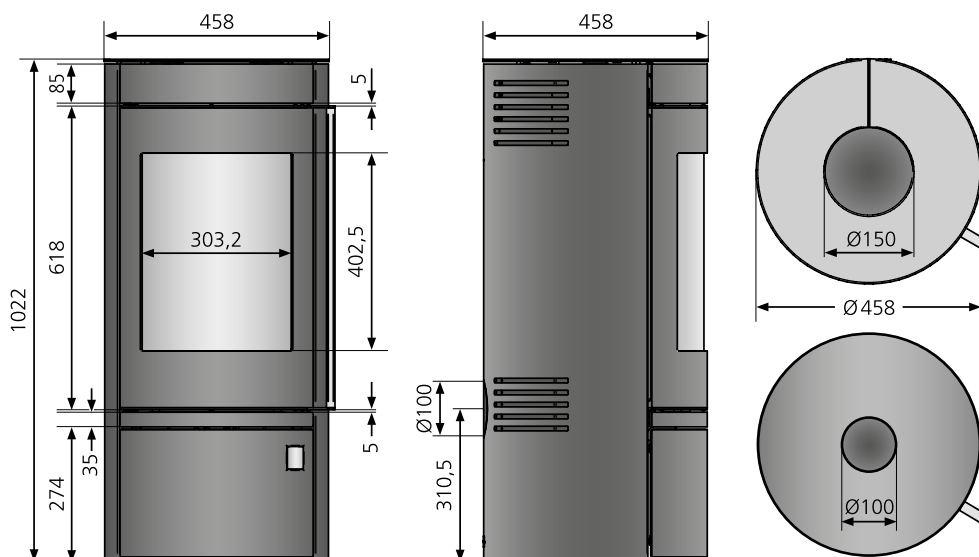
Solid cast iron wood storage door



Vermiculite firebox and cast iron grid



Mino Top 2.0, steel black



Available design	Order no.	EAN-Code
Mino Top 2.0, steel black	4815 50	4250340909556
Optional accessories	Order no.	EAN-Code
Connecting piece for combustion air supply	9200 69	4029807779991
Rotating tray steel black, Ø 460 mm (for top connection)	9214 72	4029808539426
Energy efficiency class	A+	
Connection possibility	top	
Operation with external air supply	rear / bottom	
Nominal heat output	kW	5,5
Weight (incl. packaging)	ca. kg	115
Room heating capability	m ³	88
Length of logs	cm	25
Exhaust gas mass flow	g/s	5,2
Exhaust gas temperature	° C	295
Required discharge pressure	mbar	0,12

For all technical data please see pages 106 to 109

Illustrations are given as indications only. Optical deviations are no defect.



Mino Trios 2.0



Mino Trios 2.0, cover plate Sandstone, corpus steel black





AVAILABLE DESIGNS:

- (1) Steel black
- (2) Cover plate glass, corpus steel black
- (3) Soapstone, corpus steel black
- (4) Sandstone, corpus steel black
- (5) Ceramic Grappa, corpus steel black
- (6) Ceramic Limestone Bianco, corpus steel black
- (7) Ceramic Bordeaux red, corpus steel black

Air flow bar handle with Snap lock system and Triple window



External combustion air connection

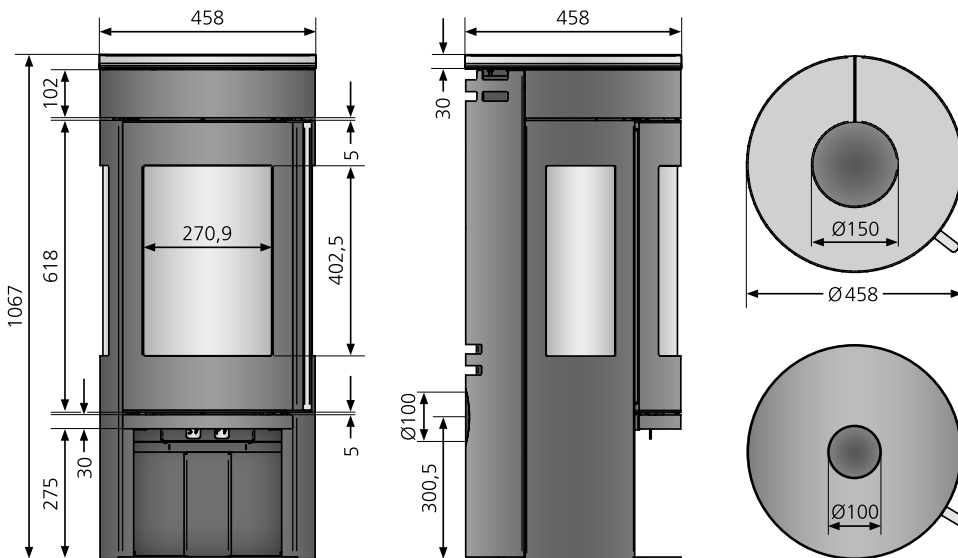


Mino Trios 2.0, steel black

STANDARD SCOPE OF DELIVERY

- Solid cast iron door
- Possibility for external combustion air connection comes as standard

Please order the connecting piece for external air connection separately.



Available designs	Order no.	EAN-Code
Mino Trios 2.0, Steel black	4825 10	4250340909563
Mino Trios 2.0, cover plate glass, corpus steel black	4825 30	4250340909570
Mino Trios 2.0, cover plate Soapstone, corpus steel black	4825 22	4250340909587
Mino Trios 2.0, cover plate Sandstone, corpus steel black	4825 42	4250340909594
Mino Trios 2.0, cover plate Ceramic Grappa, corpus steel black	4825 32	4250340909600
Mino Trios 2.0, cover plate Ceramic Limestone Bianco, corpus steel black	4825 87	4250340909617
Mino Trios 2.0, cover plate Ceramic Bordeaux red, corpus steel black	4825 37	4250340909624
Optional accessories	Order no.	EAN-Code
Connecting piece for combustion air supply	9200 69	4029807779991
Rotating tray steel black, Ø 460 mm (for top connection)	9214 72	4029808539426

Energy efficiency class		A
Connection possibility		top
Operation with external air supply		rear / bottom
Nominal heat output	kW	5,5
Weight (incl. packaging) steel / glass / stone	ca. kg	98 / 98 / 107
Room heating capability	m ³	88
Length of logs	cm	30
Exhaust gas mass flow	g/s	6,0
Exhaust gas temperature	°C	282
Required discharge pressure	mbar	0,12

For all technical data please see pages 106 to 109

Illustrations are given as indications only. Optical deviations are no defect.



Mino 2.0



Mino 2.0, cover plate Soapstone, corpus steel black





AVAILABLE DESIGNS:

- (1) Steel black
- (2) Cover plate glass, corpus steel black
- (3) Soapstone, corpus steel black
- (4) Sandstone, corpus steel black
- (5) Ceramic Grappa, corpus steel black
- (6) Ceramic Limestone Bianco, corpus steel black
- (7) Ceramic Bordeaux red, corpus steel black

Air flow bar handle with Snap lock system



External combustion air connection



Vermiculite firebox and cast iron grid

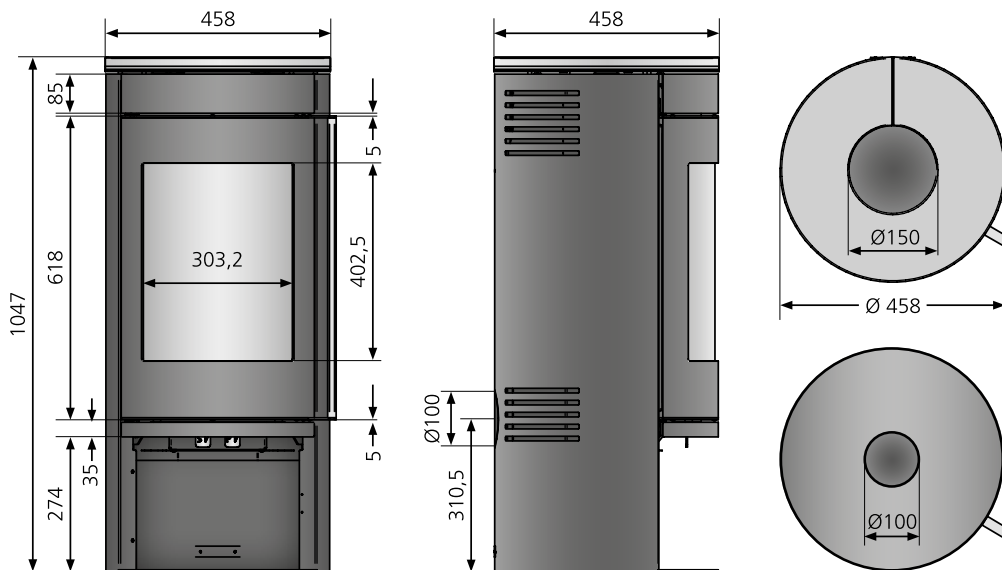


Mino 2.0, cover plate Grappa, corpus steel black

STANDARD SCOPE OF DELIVERY

- Solid cast iron base with cast iron grid
- Solid cast iron door
- Possibility for external combustion air connection comes as standard

Please order the connecting piece for external air connection separately.



Available designs	Order no.	EAN-Code
Mino 2.0, Steel black	4815 10	4250340909648
Mino 2.0, cover plate glass, corpus steel black	4815 30	4250340909655
Mino 2.0, cover plate Soapstone, corpus steel black	4815 22	4250340909662
Mino 2.0, cover plate Sandstone, corpus steel black	4815 42	4250340909679
Mino 2.0, cover plate Ceramic Grappa, corpus steel black	4815 32	4250340909686
Mino 2.0, cover plate Ceramic Limestone Bianco, corpus steel black	4815 87	4250340909693
Mino 2.0, cover plate Ceramic Bordeaux red, corpus steel black	4815 37	4250340909709
Optional accessories	Order no.	EAN-Code
Connecting piece for combustion air supply	9200 69	4029807779991
Rotating tray steel black, Ø 460 mm (for top connection)	9214 72	4029808539426
Energy efficiency class		A+
Connection possibility		top
Operation with external air supply		rear / bottom
Nominal heat output	kW	5,5
Weight (incl. packaging) steel / glass / stone	ca. kg	108 / 108 / 117
Room heating capability	m ³	88
Length of logs	cm	25
Exhaust gas mass flow	g/s	5,2
Exhaust gas temperature	°C	295
Required discharge pressure	mbar	0,12

For all technical data please see pages 106 to 109

Illustrations are given as indications only. Optical deviations are no defect.



Baltrum D

Slow combustion stove



Baltrum D, Soapstone, corpus steel grey



AVAILABLE DESIGNS:

- (1) Steel black
- (2) Soapstone, corpus steel grey
- (2) Soapstone, corpus steel black
- (3) Sandstone, corpus steel black
- (4) Limestone cream, corpus steel black



STANDARD SCOPE OF DELIVERY

- Stone version comes with cover plate and sides in stone
- Air flow handle
- Automatic primary air control
- Solid cast iron base
- Possibility for external combustion air connection comes as standard

Please order the connecting piece for external air connection separately.

Automatic primary air control



Stone inlay

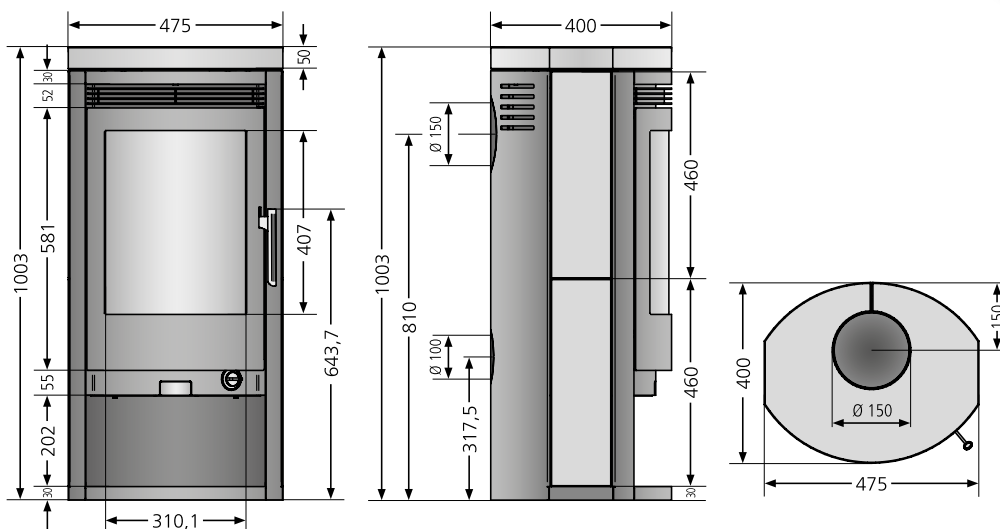


Solid cast iron base



Slow combustion stove with Automatic primary air control. 12 hour lasting embers using brown coal briquettes. The wood stove can be operated overnight.

Baltrum D, Sandstone, corpus steel black



Available designs	Order no.	EAN-Code
Baltrum D, steel black	4807 11	4250340908689
Baltrum D, Soapstone, corpus steel grey	4807 22	4250340908696
Baltrum D, Soapstone, corpus steel black	4807 23	4250340909983
Baltrum D, Sandstone, corpus steel black	4807 42	4250340908702
Baltrum D, Limestone cream, corpus steel black	4807 87	4250340908719
Optional accessories	Order no.	EAN-Code
Connecting piece for combustion air supply	9200 69	4029807779991
Energy efficiency class	A+	
Connection possibility	top / rear	
Operation with external air supply	rear	
Nominal heat output	kW	5,5
Weight (incl. packaging) steel / stone	ca. kg	95 / 121
Room heating capability	m ³	88
Length of logs	cm	25
Exhaust gas mass flow	g/s	5,0
Exhaust gas temperature	°C	295
Required discharge pressure	mbar	0,12

For all technical data please see pages 106 to 109

Illustrations are given as indications only. Optical deviations are no defect.



Austin 5



Austin 5, Limestone cream, corpus steel black

- 24h
- 88 m³
- >80% icon"/> >80%
- House
- Wavy lines
- Upward arrows
- 25cm
- °C

AVAILABLE DESIGNS:

- (1) Steel black
- (2) Soapstone, corpus steel black
- (3) Limestone cream, corpus steel black

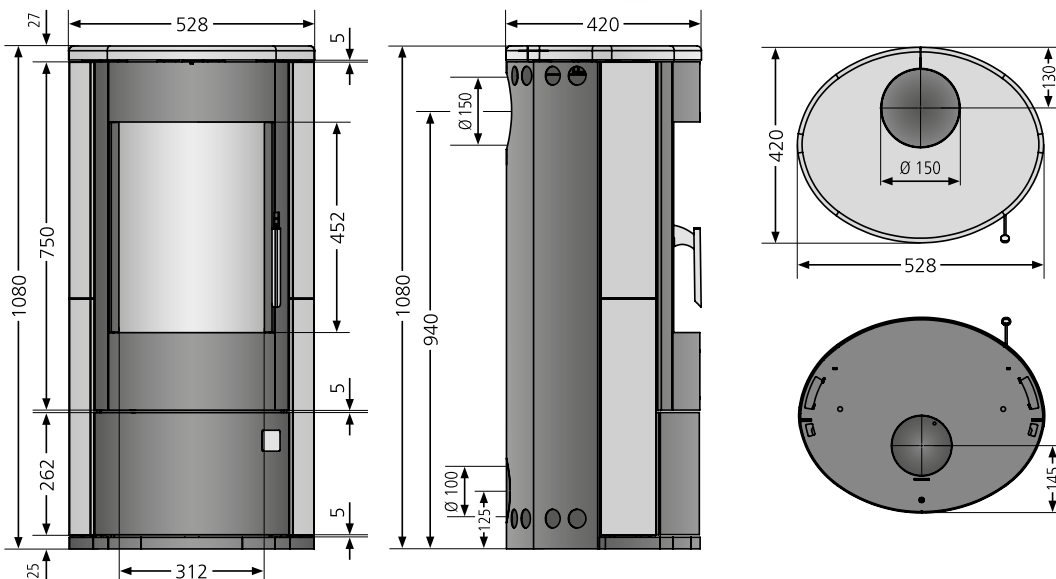


STANDARD SCOPE OF DELIVERY

- Stone version comes with cover plate
- Air flow handle
- Possibility for external combustion air connection comes as standard

Please order the connecting piece for external air connection separately.

Austin 5, Soapstone, corpus steel black



Available designs	Order no.	EAN-Code
Austin 5, steel black	4855 11	4250340907729
Austin 5, Soapstone, corpus steel black	4855 23	4250340907798
Austin 5, Limestone cream, corpus steel black	4855 87	4250340907880
Optional accessories	Order no.	EAN-Code
Connecting piece for combustion air supply	9200 69	4029807779991

Energy efficiency class		A+
Connection possibility		top / rear
Operation with external air supply		rear / bottom
Nominal heat output	kW	5,0
Weight (incl. packaging) steel / stone	ca. kg	122 / 141
Room heating capability	m ³	88
Length of logs	cm	25
Exhaust gas mass flow	g/s	4,6
Exhaust gas temperature	°C	300
Required discharge pressure	mbar	0,12

For all technical data please see pages 106 to 109

Illustrations are given as indications only. Optical deviations are no defect.



Austin 7



Austin 7, Soapstone, corpus steel black

- 24h
- 144 m³
- >80% icon"/> >80%
- House
- Waves
- Upward arrows
- 30cm
- °C

AVAILABLE DESIGNS:

- (1) Steel black
- (2) Soapstone, corpus steel black
- (3) Limestone cream, corpus steel black



(1)



(2)



(3)

STANDARD SCOPE OF DELIVERY

- Stone version comes with cover plate
- Air flow handle
- Possibility for external combustion air connection comes as standard

Please order the connecting piece for external air connection separately.

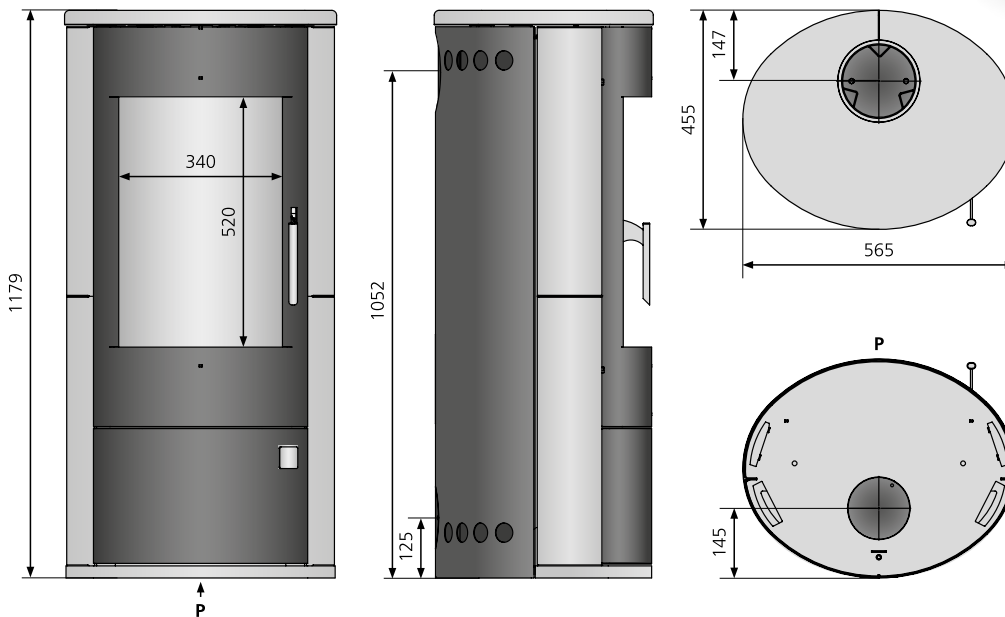
Air flow handle



External combustion air connection



Austin 7, Limestone cream, corpus steel black



Available designs	Order no.	EAN-Code
Austin 7, steel black	4857 11	4250340907750
Austin 7, Soapstone, corpus steel black	4857 23	4250340907774
Austin 7, Limestone cream, corpus steel black	4857 87	4250340907873
Optional accessories	Order no.	EAN-Code
Connecting piece for combustion air supply	9200 69	4029807779991
Energy efficiency class	A+	
Connection possibility	top / rear	
Operation with external air supply	rear / bottom	
Nominal heat output	kW	7,0
Weight (incl. packaging) steel / stone	ca. kg	147 / 164
Room heating capability	m ³	144
Length of logs	cm	30
Exhaust gas mass flow	g/s	5,7
Exhaust gas temperature	°C	347
Required discharge pressure	mbar	0,12

For all technical data please see pages 106 to 109

Illustrations are given as indications only. Optical deviations are no defect.



Frisco 2.0 *Slow combustion stove*

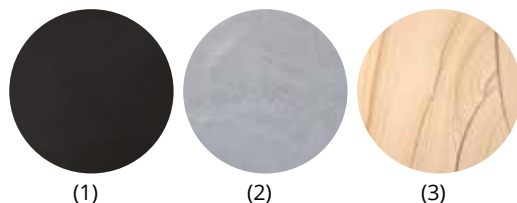


Frisco 2.0, Soapstone, corpus steel black



AVAILABLE DESIGNS:

- (1) Steel black, cover plate and warming compartment in soapstone
- (2) Soapstone, corpus steel black
- (3) Sandstone, corpus steel black



Frisco 2.0, steel black, cover plate and warming compartment in soapstone



Ergonomic bar handle



Automatic primary air control

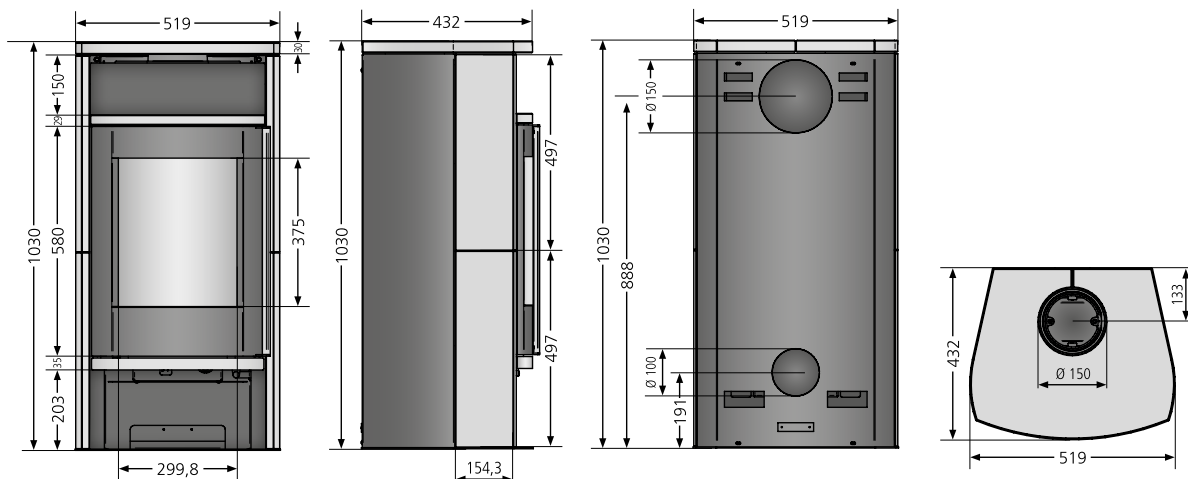


Solid cast iron base

STANDARD SCOPE OF DELIVERY

- Automatic primary air control
 - Stone version comes in combination of cover plate and warming compartment
 - Possibility for external combustion air connection comes as standard
- Please order the connecting piece for external air connection separately.

Slow combustion stove with Automatic primary air control. 12 hour lasting embers using brown coal briquettes. The wood stove can be operated overnight.



Available designs	Order no.	EAN-Code
Frisco 2.0, steel black, cover plate and warming compartment in soapstone	5697 12	4250340909723
Frisco 2.0, Soapstone, corpus steel black	5697 23	4250340909730
Frisco 2.0, Sandstone, corpus steel black	5697 42	4250340909747
Optional accessories	Order no.	EAN-Code
Connecting piece for combustion air supply	9200 69	4029807779991
Energy efficiency class		A+
Connection possibility		top / rear
Operation with external air supply		rear
Nominal heat output	kW	5,5
Weight (incl. packaging) steel / stone	ca. kg	131 / 156
Room heating capability	m ³	88
Length of logs	cm	30
Exhaust gas mass flow	g/s	5,1
Exhaust gas temperature	°C	254
Required discharge pressure	mbar	0,12

For all technical data please see pages 106 to 109

Illustrations are given as indications only. Optical deviations are no defect.



Reno R

Slow combustion stove



Reno R, Soapstone, corpus steel grey

- AUTOMATIK
- 24h
- 124 m³
- >80% icon"/> >80 %
- SAFE
-
-
-
- 33cm
- °C

AVAILABLE DESIGNS:

- (1) Steel black
- (2) Soapstone, corpus steel grey
- (2) Soapstone, corpus steel black
- (3) Sandstone, corpus steel black



STANDARD SCOPE OF DELIVERY

- Automatic primary air control
- Stone version comes with cover plate and sides in stone
- Solid cast iron base
- Possibility for external combustion air connection comes as standard

The connecting piece for external combustion air is included in the scope of delivery and is already mounted.

The wood stove Reno R with JUSTUS safe-locking system meets all requirements of the DIBT (Z-43.12-353) certificate.



Reno R, Sandstone, corpus steel black



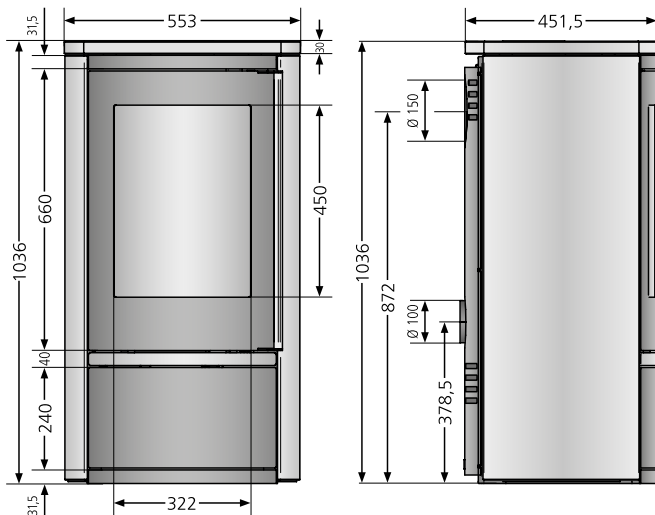
Air flow bar handle



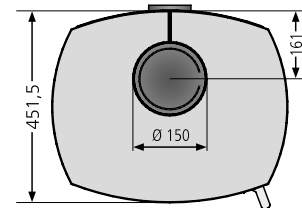
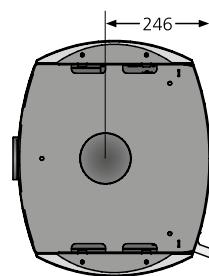
Wood tray door with magnet closure



JUSTUS Safe-locking-system



Slow combustion stove with Automatic primary air control. 12 hour lasting embers using brown coal briquettes. The wood stove can be operated overnight.



Available designs	Order no.	EAN-Code
Reno R, steel black	4800 11	4250340906241
Reno R, Soapstone, corpus steel grey	4800 22	4250340906258
Reno R, Soapstone, corpus steel black	4800 23	4250340909990
Reno R, Sandstone, corpus steel black	4800 42	4250340906326
Optional accessories	Order no.	EAN-Code
Connecting piece for combustion air supply	9200 69	4029807779991
Energy efficiency class	A+	
Connection possibility	top / rear	
Operation with external air	rear / bottom	
Nominal heat output	kW	6,0
Weight (incl. packaging) steel / stone	ca. kg	116 / 216
Room heating capability	m ³	124
Length of logs	cm	33
Exhaust gas mass flow	g/s	5,7
Exhaust gas temperature	°C	362
Required discharge pressure	mbar	0,12

For all technical data please see pages 106 to 109

Illustrations are given as indications only. Optical deviations are no defect.



Island 5



Island 5, Soapstone, corpus steel grey





(1)

(2)

(3)

(4)

(5)

(6)



Extra large warming compartment



Ergonomic handle for multi-point locking

Island 5, Ceramic Grappa, corpus steel black

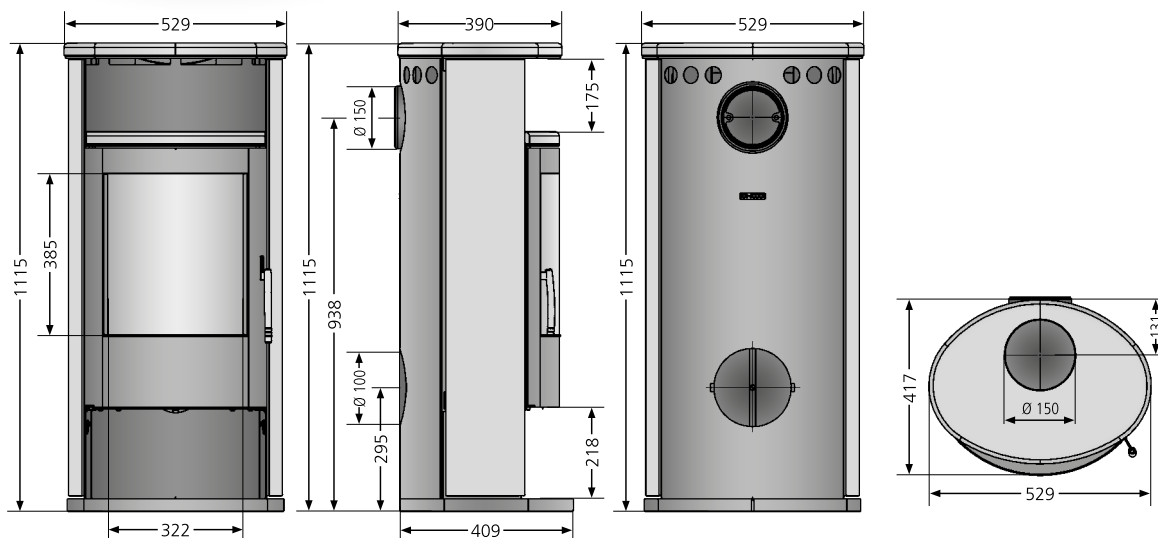
AVAILABLE DESIGNS:

- (1) Steel grey
- (2) Soapstone, corpus steel grey
- (3) Soapstone, corpus steel black
- (3) Sandstone, corpus steel black
- (4) Ceramic Corretto, corpus steel black
- (5) Ceramic Freddo, corpus steel black
- (6) Ceramic Grappa, corpus steel black

STANDARD SCOPE OF DELIVERY

- Stone and Ceramic versions come with cover plate
- Profiled firebox lining
- Possibility for external combustion air connection comes as standard

Please order the connecting piece for external air connection separately.



Available designs	Order no.	EAN-Code
Island 5, steel grey	4875 29	4250340904186
Island 5, Soapstone, corpus steel grey	4875 22	4250340904162
Island 5, Soapstone, corpus steel black	4875 23	4250340910019
Island 5, Sandstone, corpus steel black	4875 42	4250340904179
Island 5, Ceramic Corretto, corpus steel black	4875 70	4250340906944
Island 5, Ceramic Freddo, corpus steel black	4875 72	4250340906968
Island 5, Ceramic Grappa, corpus steel black	4875 71	4250340906951
Optional accessories	Order no.	EAN-Code
Connecting piece for combustion air supply	9200 69	402980779991

Energy efficiency class		A+
Connection possibility		top / rear
Operation with external air supply		rear
Nominal heat output	kW	5,0
Weight (incl. packaging) steel / stone	ca. kg	96 / 138
Room heating capability	m ³	88
Length of logs	cm	30
Exhaust gas mass flow	g/s	5,8
Exhaust gas temperature	°C	266
Required discharge pressure	mbar	0,12

For all technical data please see pages 106 to 109

Illustrations are given as indications only. Optical deviations are no defect.



Island 7



Island 7, Ceramic Grappa, corpus steel black





AVAILABLE DESIGNS:

- (1) steel grey
- (2) Soapstone, corpus steel grey
- (2) Soapstone, corpus steel black
- (3) Sandstone, corpus steel black
- (4) Ceramic Corretto, corpus steel black
- (5) Ceramic Freddo, corpus steel black
- (6) Ceramic Grappa, corpus steel black

Extra large warming compartment



Ergonomic handle for multi-point locking

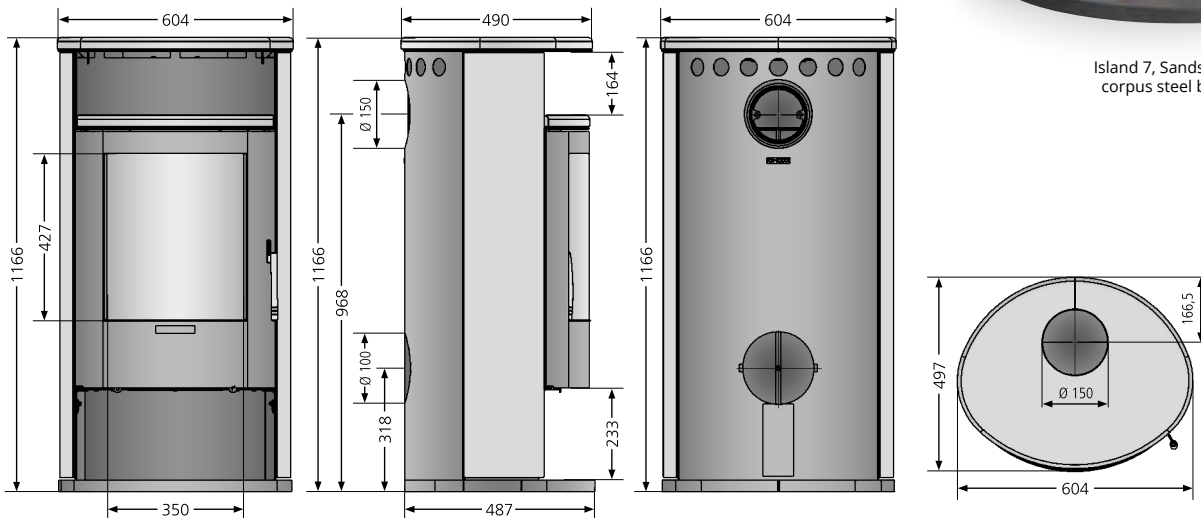


Island 7, Sandstone, corpus steel black

STANDARD SCOPE OF DELIVERY

- Stone and Ceramic versions come with cover plate
- Profiled firebox lining
- Possibility for external combustion air connection comes as standard

Please order the connecting piece for external air connection separately.



Available designs	Order no.	EAN-Code
Island 7, steel grey	4877 29	4250340904216
Island 7, Soapstone, corpus steel grey	4877 22	4250340904193
Island 7, Soapstone, corpus steel black	4877 23	4250340910026
Island 7, Sandstone, corpus steel black	4877 42	4250340904209
Island 7, Ceramic Corretto, corpus steel black	4877 70	4250340906975
Island 7, Ceramic Freddo, corpus steel black	4877 72	4250340906999
Island 7, Ceramic Grappa, corpus steel black	4877 71	4250340906982
Optional accessories	Order no.	EAN-Code
Connecting piece for combustion air supply	9200 69	4029807779991

Energy efficiency class		A+
Connection possibility		top / rear
Operation with external air supply		rear
Nominal heat output	kW	6,5
Weight (incl. packaging) steel / stone	ca. kg	120 / 175
Room heating capability	m ³	131
Length of logs	cm	33
Exhaust gas mass flow	g/s	7,2
Exhaust gas temperature	°C	256
Required discharge pressure	mbar	0,12

For all technical data please see pages 106 to 109

Illustrations are given as indications only. Optical deviations are no defect.

JUSTUS

WOOD STOVE



A+

AVAILABLE FROM JULY 2020

*Usedom 5 W+ 2.0
with heat accumulation stone*



Usedom 5 W+ 2.0. Soapstone, corpus steel black



AVAILABLE DESIGNS:

- (1) Steel black
- (2) Soapstone, corpus steel black
- (3) Sandstone, corpus steel black



(1)

(2)

(3)

STANDARD SCOPE OF DELIVERY

- Solid cast iron base
- All versions come with cover plate
- Air flow handle
- Door and plinth made of solid cast iron
- Heat accumulation stone W+, approx. 35 kg
- Possibility for external combustion air connection comes as standard

Please order the connecting piece for external air connection separately.



Usedom 5 W+ 2.0, Sandstone, corpus steel black



Air flow handle



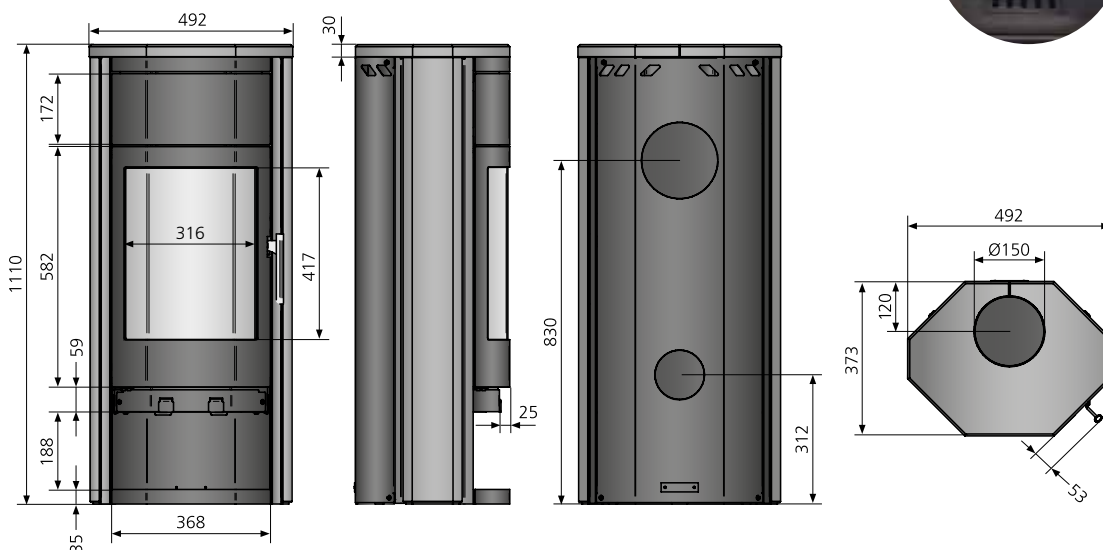
Heat accumulation stone W+, approx. 35 kg



Solid cast iron door



Solid cast iron base with cast iron grid



Available designs		Order no.	EAN-Code
Usedom 5 W+ 2.0, steel black		6539 11	4250340911719
Usedom 5 W+ 2.0, Soapstone, corpus steel black		6539 23	4250340911672
Usedom 5 W+ 2.0, Sandstone, corpus steel black		6539 42	4250340911689
Optional accessories		Order no.	EAN-Code
Connecting piece for combustion air supply		9200 69	4029807779991
Energy efficiency class		A+	
Connection possibility		top / rear	
Operation with external air supply		rear	
Nominal heat output	kW	5,0	
Weight (incl. packaging)	ca. kg	126	
Weight heat accumulation stone W+	ca. kg	35	
Room heating capability	m ³	88	
Length of logs	cm	25	
Exhaust gas mass flow	g/s	4,6	
Exhaust gas temperature	°C	270	
Required discharge pressure	mbar	0,12	

For all technical data please see pages 106 to 109

Illustrations are given as indications only. Optical deviations are no defect.



Usedom 5

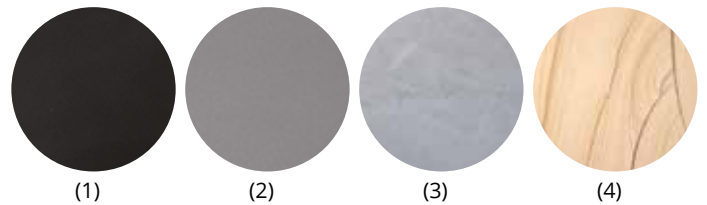


Usedom 5, Soapstone, corpus steel grey

- 24h
- 88 m³
- >80 %
- ←
- ↑↑
- 25 cm
- °C

AVAILABLE DESIGNS:

- (1) Steel black
- (2) Steel grey
- (3) Soapstone, corpus steel black
- (3) Soapstone, corpus steel grey
- (4) Sandstone, corpus steel black



STANDARD SCOPE OF DELIVERY

- Solid cast iron base
- Stone version comes with cover plate
- Air flow handle
- Possibility for external combustion air connection comes as standard

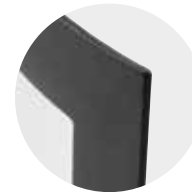
Please order the connecting piece for external air connection separately.



Usedom 5 Sandstone, corpus steel black



Air flow handle



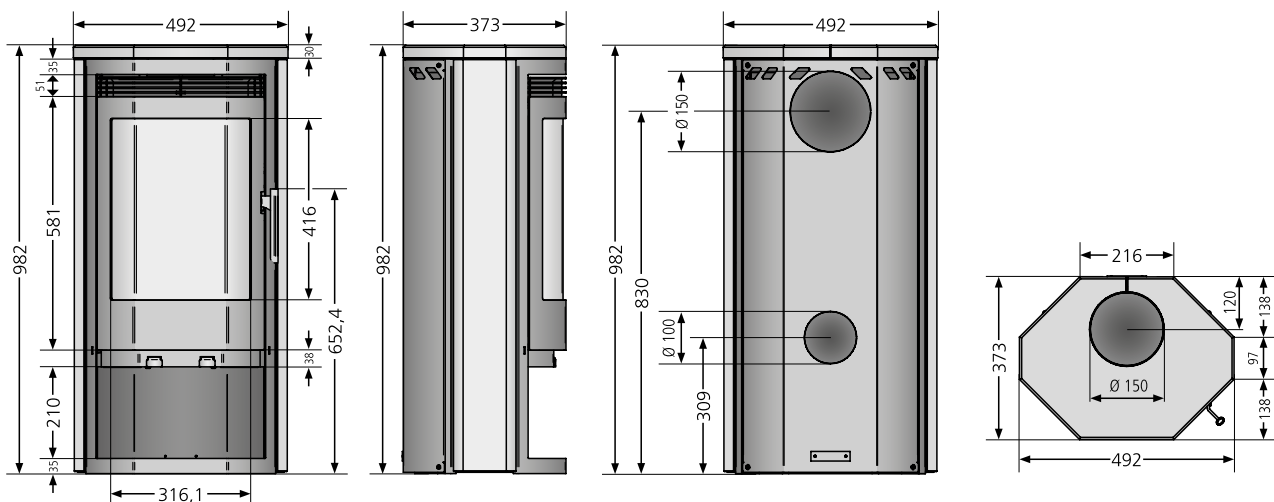
Solid cast iron door



External combustion air connection



Solid cast iron base



Available designs	Order no.	EAN-Code
Usedom 5, steel black	6531 11	4250340909914
Usedom 5, steel grey	6531 29	4250340908764
Usedom 5, Soapstone, corpus steel grey	6531 22	4250340908771
Usedom 5, Soapstone, corpus steel black	6531 23	4250340908788
Usedom 5, Sandstone, corpus steel black	6531 42	4250340908795
Optional accessories	Order no.	EAN-Code
Connecting piece for combustion air supply	9200 69	4029807779991
Energy efficiency class		A+
Connection possibility		top / rear
Operation with external air supply		rear
Nominal heat output	kW	5,5
Weight (incl. packaging) steel / stone	ca. kg	89 / 116
Room heating capability	m ³	88
Length of logs	cm	25
Exhaust gas mass flow	g/s	5,0
Exhaust gas temperature	°C	284
Required discharge pressure	mbar	0,12

For all technical data please see pages 106 to 109

Illustrations are given as indications only. Optical deviations are no defect.



Usedom 5 D

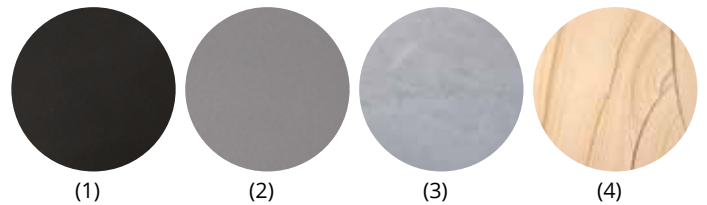


Usedom 5 D, Sandstone, corpus steel black



AVAILABLE DESIGNS:

- (1) Steel black
- (2) Steel grey
- (3) Soapstone, corpus steel grey
- (3) Soapstone, corpus steel black
- (4) Sandstone, corpus steel black



STANDARD SCOPE OF DELIVERY

- Solid cast iron base
- Stone version comes with cover plate and sides in stone
- Air flow handle
- Possibility for external combustion air connection comes as standard

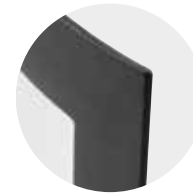
Please order the connecting piece for external air connection separately.



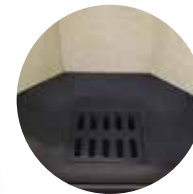
Usedom 5 D Soapstone, corpus steel black



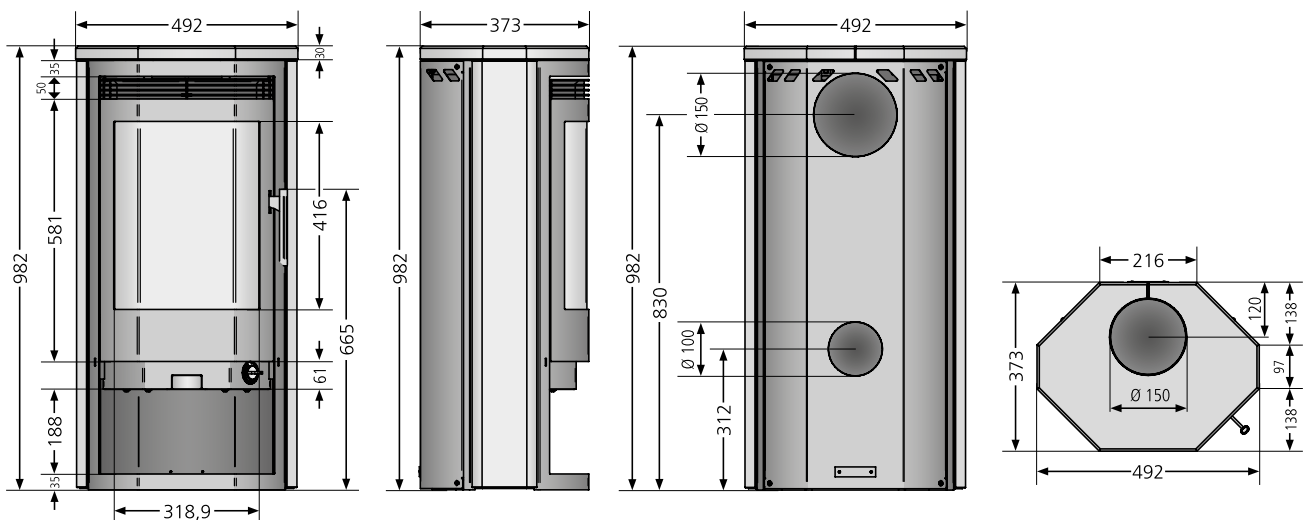
Automatic primary air control



Solid cast iron door



Solid cast iron base



Available designs	Order no.	EAN-Code
Usedom 5 D, steel black	6530 11	4250340909921
Usedom 5 D, steel grey	6530 29	4250340908726
Usedom 5 D, Soapstone, corpus steel grey	6530 22	4250340908733
Usedom 5 D, Soapstone, corpus steel black	6530 23	4250340908740
Usedom 5 D, Sandstone, corpus steel black	6530 42	4250340908757
Optional accessories	Order no.	EAN-Code
Connecting piece for combustion air supply	9200 69	4029807779991

Energy efficiency class		A+
Connection possibility		top / rear
Operation with external air supply		rear
Nominal heat output	kW	5,5
Weight (incl. packaging) steel / stone	ca. kg	91 / 116
Room heating capability	m ³	88
Length of logs	cm	25
Exhaust gas mass flow	g/s	5,0
Exhaust gas temperature	°C	294
Required discharge pressure	mbar	0,12

For all technical data please see pages 106 to 109

Illustrations are given as indications only. Optical deviations are no defect.



Usedom 7

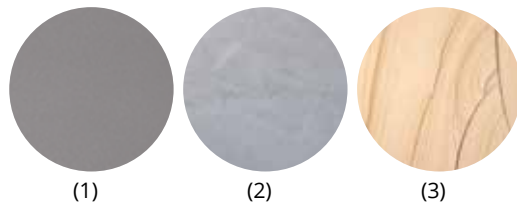


Usedom 7, steel grey



AVAILABLE DESIGNS:

- (1) Steel grey
- (2) Soapstone, corpus steel grey
- (3) Sandstone, corpus steel black



(1)

(2)

(3)

STANDARD SCOPE OF DELIVERY

- Stone version comes with cover plate and sides in stone
- Air flow handle
- Possibility for external combustion air connection comes as standard

Please order the connecting piece for external air connection separately.



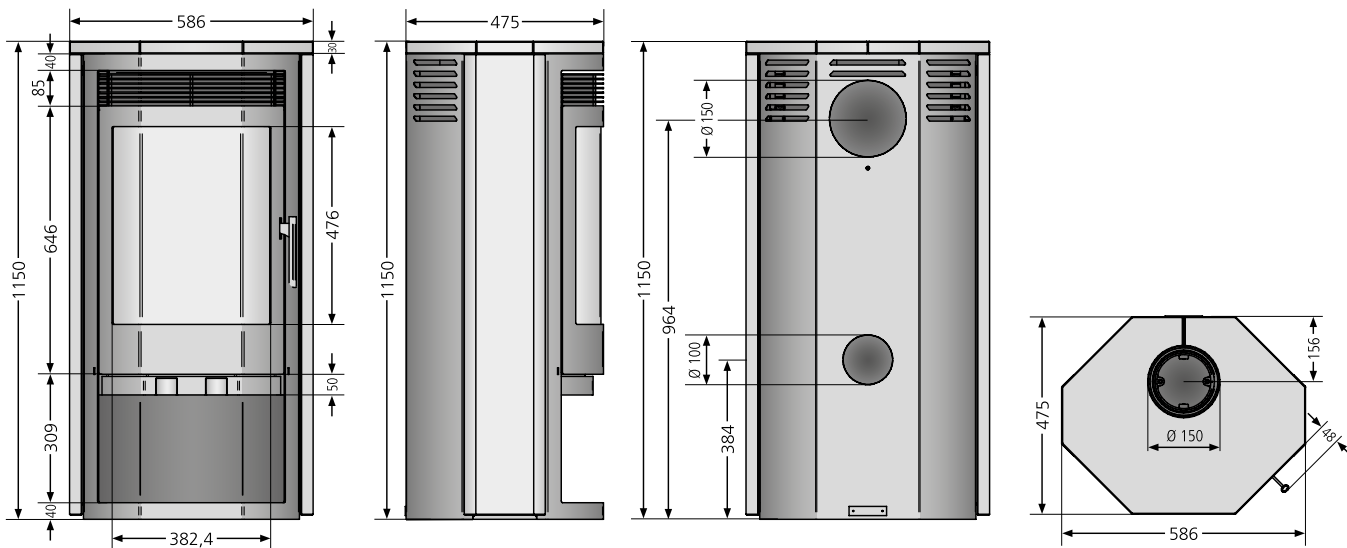
Usedom 7, Soapstone, corpus steel grey



Air flow handle



External combustion air connection



Available designs	Order no.	EAN-Code
Usedom 7, steel grey	6527 29	4250340903592
Usedom 7, Soapstone, corpus steel grey	6527 22	4250340903608
Usedom 7, Sandstone, corpus steel black	6527 42	4250340903615
Optional accessories	Order no.	EAN-Code
Connecting piece for combustion air supply	9200 69	4029807779991
Energy efficiency class		A
Connection possibility		top / rear
Operation with external air supply		rear
Nominal heat output	kW	7,0
Weight (incl. packaging) steel / stone	ca. kg	122 / 173
Room heating capability	m ³	144
Length of logs	cm	33
Exhaust gas mass flow	g/s	8,1
Exhaust gas temperature	°C	292
Required discharge pressure	mbar	0,12

For all technical data please see pages 106 to 109

Illustrations are given as indications only. Optical deviations are no defect.



Bavaria



Bavaria, Ceramic Maple white with base



AVAILABLE DESIGNS:

- (1) Ceramic Maple white with base
- (2) Ceramic Bordeaux red with base
- (3) Ceramic Green with base
- (4) Ceramic Anthracite with base



(1)



(2)



(3)



(4)

STANDARD SCOPE OF DELIVERY

- Preassembled Ceramic
- Base plastered with mineral plaster

Base separately prepared.
Easy assembling.



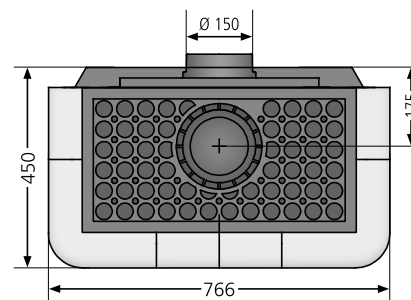
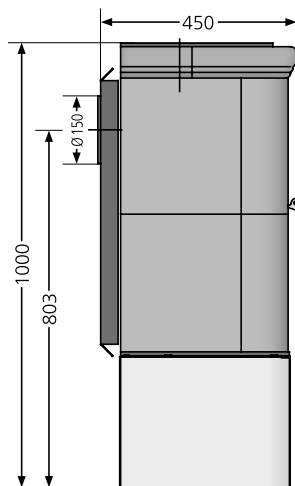
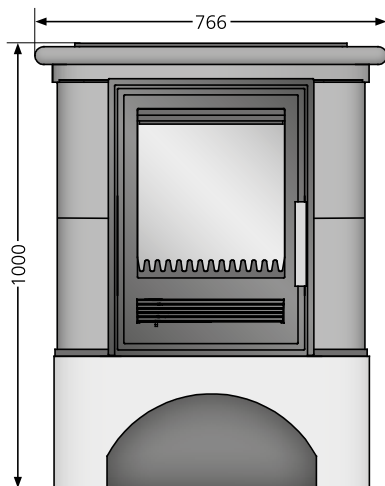
Solid cast iron door



Bavaria, Ceramic Anthracite with base



Bavaria, Ceramic Bordeaux red with base



Available designs	Order no.	EAN-Code
Bavaria, Ceramic Maple white with base	6347 50	4250340904155
Bavaria, Ceramic Bordeaux red with base	6347 51	4250340904407
Bavaria, Ceramic Green with base	6347 52	4250340904469
Bavaria, Ceramic Anthracite with base	6347 11	4250340911481
Energy efficiency class		A+
Connection possibility		top / rear
Nominal heat output	kW	7,0
Weight (incl. packaging)	ca. kg	170
Room heating capability	m ³	144
Length of logs	cm	33
Exhaust gas mass flow	g/s	8,7
Exhaust gas temperature	°C	271
Required discharge pressure	mbar	0,12

For all technical data please see pages 106 to 109

Illustrations are given as indications only. Optical deviations are no defect.



Texas, Soapstone Ceramic, corpus steel black



AVAILABLE DESIGN:

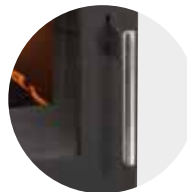
(1) Soapstone Ceramic, corpus steel black



(1)



Texas, Soapstone Ceramic, corpus steel black



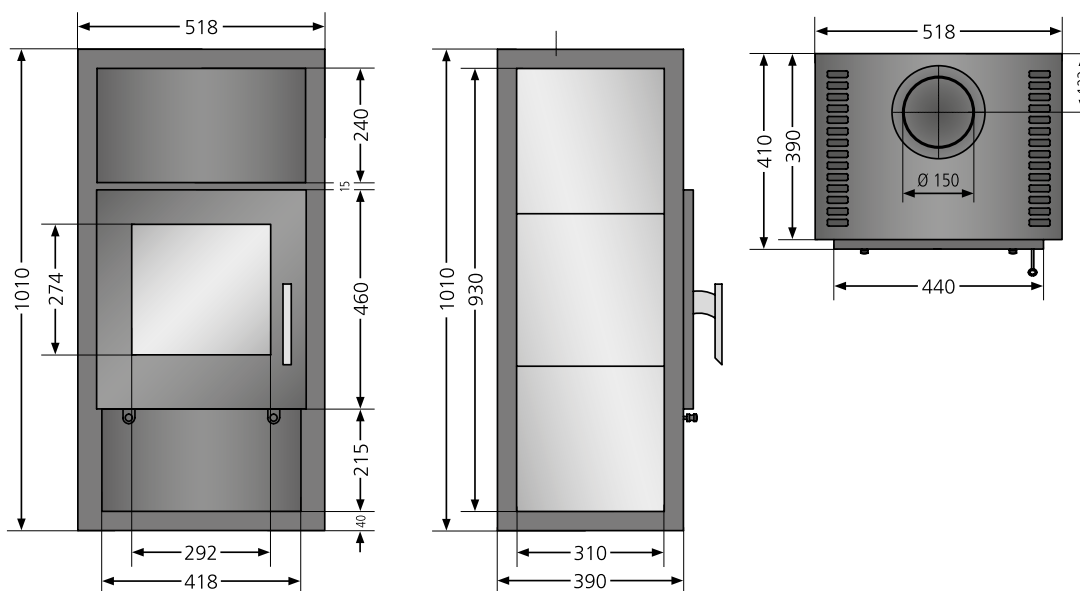
Air flow handle



Separately controlled primary- and secondary air supply

STANDARD SCOPE OF DELIVERY

- Air flow handle



Available design	Order no.	EAN-Code
Texas, Soapstone Ceramic, corpus steel black	8358 22	4250340909242
Energy efficiency class		A+
Connection possibility		top
Nominal heat output	kW	6,0
Weight (incl. packaging)	ca. kg	90
Room heating capability	m ³	124
Length of logs	cm	30
Exhaust gas mass flow	g/s	7,3
Exhaust gas temperature	°C	231
Required discharge pressure	mbar	0,12

For all technical data please see pages 106 to 109

Illustrations are given as indications only. Optical deviations are no defect.



Vegas



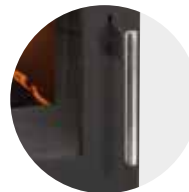
- 24h
- 124 m³
- >80 %
- ↑↑
- 30cm
- °C

AVAILABLE DESIGN:

(1) Soapstone Ceramic, corpus steel black



(1)



Air flow handle

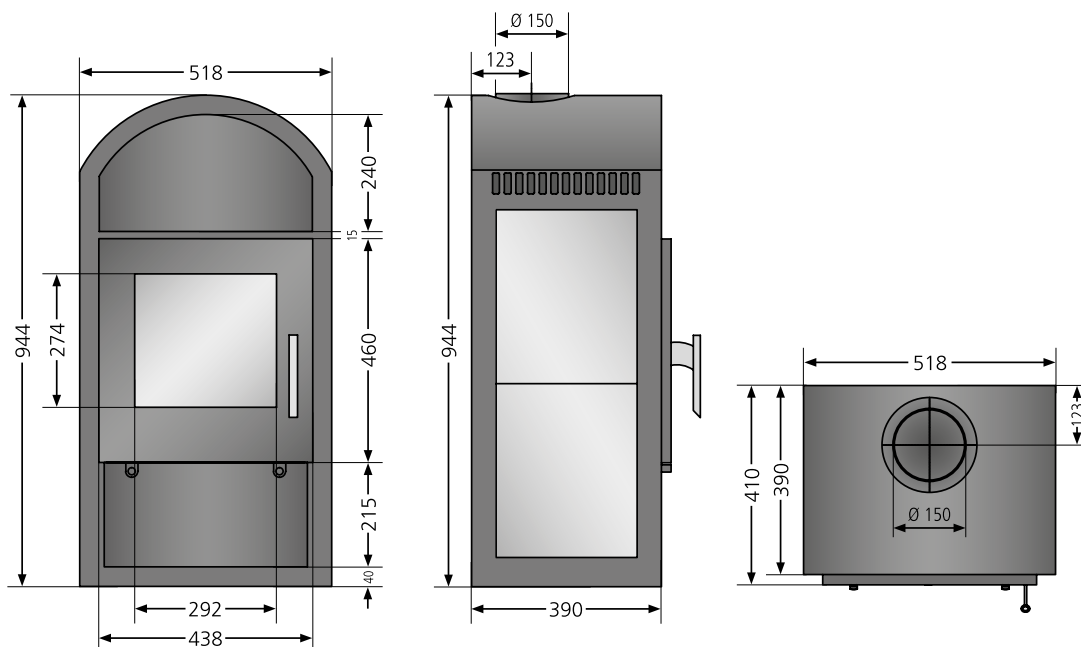


Separately controlled primary- and secondary air supply

STANDARD SCOPE OF DELIVERY

- Air flow handle

Texas, Soapstone Ceramic, corpus steel black



Available design	Order no.	EAN-Code
Vegas, Soapstone Ceramic, corpus steel black	8357 22	4250340909235
Energy efficiency class		A+
Connection possibility		top
Nominal heat output	kW	6,0
Weight (incl. packaging)	ca. kg	112
Room heating capability	m ³	124
Length of logs	cm	30
Exhaust gas mass flow	g/s	7,3
Exhaust gas temperature	°C	231
Required discharge pressure	mbar	0,12

For all technical data please see pages 106 to 109

Illustrations are given as indications only. Optical deviations are no defect.



*Our Aqua
range*

How it works ...



Water heat exchanger

Secondary air control

Selection lever for different fuel modes



WOOD STOVES WITH BOILER FUNCTION

A wood stove with a water heat exchanger combines the fascination of fire and its pleasant warmth with the comfort and energy efficiency of modern heating technology. JUSTUS offers you wood stoves with water heat exchangers as all-in-one systems that are suited for integration into your domestic heating system.

The principle is simple: water flows through a heat exchanger, thereby diverting part of the combustion heat for further use. The water thus generated is fed to the heaters where it gives off heat before returning to the stove as cold water.



Faro Aqua 2.0

with boiler function



Faro Aqua 2.0, Soapstone, corpus steel black



AVAILABLE DESIGNS:

- (1) Cover plate steel black, corpus steel black
- (2) Cover plate glass, corpus steel black
- (3) Cover plate Soapstone, corpus steel black
- (3) Soapstone, corpus steel grey
- (3) Soapstone, corpus steel black
- (4) Sandstone, corpus steel black
- (5) Limestone Bianco, corpus steel black



STANDARD SCOPE OF DELIVERY

- Stone version comes in combination of cover plate and panel inlay
- Solid cast iron base
- Solid cast iron door
- Solid cast iron wood storage door
- Thermal discharge safety device (TAS)
- Air flow XXL bar handle with Snap lock system
- Profiled firebox lining
- Possibility for external combustion air connection comes as standard

Please order the connecting piece for external air connection separately.

Solid cast iron door



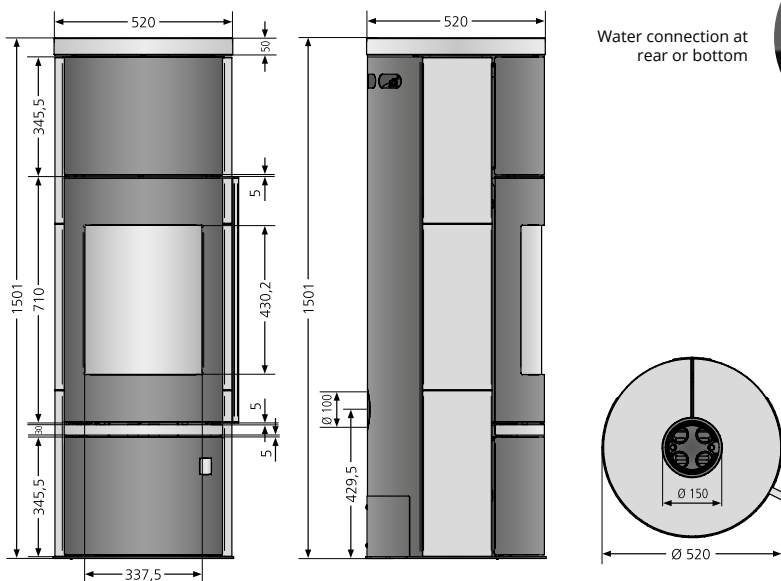
Air flow XXL bar handle with Snap lock system



Water connection at rear or bottom



Faro Aqua 2.0, cover plate glass, corpus steel black



Available designs	Order no.	EAN-Code
Faro Aqua 2.0, cover plate steel black, corpus steel black	5694 10	4250340909754
Faro Aqua 2.0, cover plate glass, corpus steel black	5694 30	4250340909761
Faro Aqua 2.0, cover plate Soapstone, corpus steel black	5694 11	4250340909778
Faro Aqua 2.0, Soapstone, corpus steel grey	5694 22	4250340909785
Faro Aqua 2.0, Soapstone, corpus steel black	5694 23	4250340909792
Faro Aqua 2.0, Sandstone, corpus steel black	5694 42	4250340909815
Faro Aqua 2.0, Limestone Bianco, corpus steel black	5694 89	4250340909808
Optional accessories	Order no.	EAN-Code
Connecting piece for combustion air supply	9200 69	4029807779991
Energy efficiency class		A+
Connection possibility		top
Operation with external air supply		rear / bottom
Nominal heat output	kW	8,5
Water-side performance	kW	4,7
Weight (incl. packaging) steel / stone	ca. kg	207 / 264
Room heating capability	m ³	200
Length of logs	cm	33
Exhaust gas mass flow	g/s	7,3
Exhaust gas temperature	°C	299
Required discharge pressure	mbar	0,12

For all technical data please see pages 106 to 109.

Illustrations are given as indications only. Optical deviations are no defect.



*Island Aqua
with boiler function!*

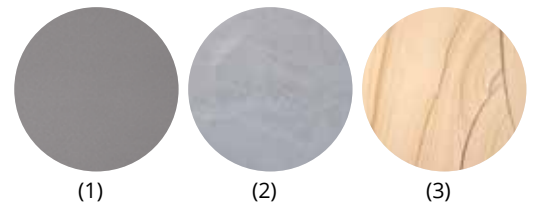


Island Aqua, Soapstone, corpus steel grey



AVAILABLE DESIGNS:

- (1) Steel grey
- (2) Soapstone, corpus steel grey
- (2) Soapstone, corpus steel black
- (3) Sandstone, corpus steel black



Island Aqua, Sandstone, corpus steel black



Extra large warming compartment



Heating start flap

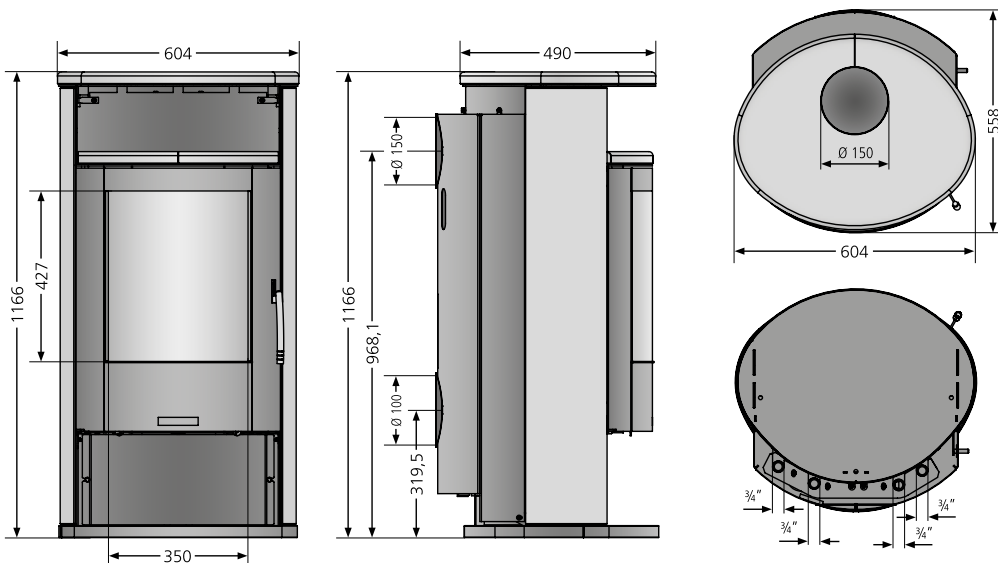


Water connection at the backside

STANDARD SCOPE OF DELIVERY

- Stone version comes with cover plate
- Thermal discharge safety device (TAS)
- Heating start flap
- Profiled firebox lining
- Possibility for external combustion air connection comes as standard

Please order the connecting piece for external air connection separately.



Available designs	Order no.	EAN-Code
Island Aqua, steel grey	7624 29	4250340904377
Island Aqua, Soapstone, corpus steel grey	7624 22	4250340904384
Island Aqua, Soapstone, corpus steel black	7624 23	4250340910033
Island Aqua, Sandstone, corpus steel black	7624 42	4250340904391
Optional accessories	Order no.	EAN-Code
Connecting piece for combustion air supply	9200 69	402980779991
Energy efficiency class	A+	
Connection possibility	top / rear	
Operation with external air supply	rear	
Nominal heat output	kW	10,0
Water-side performance	kW	6,0
Weight (incl. packaging) steel / stone	ca. kg	148 / 202
Room heating capability	m ³	200
Length of logs	cm	33
Exhaust gas mass flow	g/s	8,8
Exhaust gas temperature	°C	254
Required discharge pressure	mbar	0,12

For all technical data please see pages 106 to 109

Illustrations are given as indications only. Optical deviations are no defect.





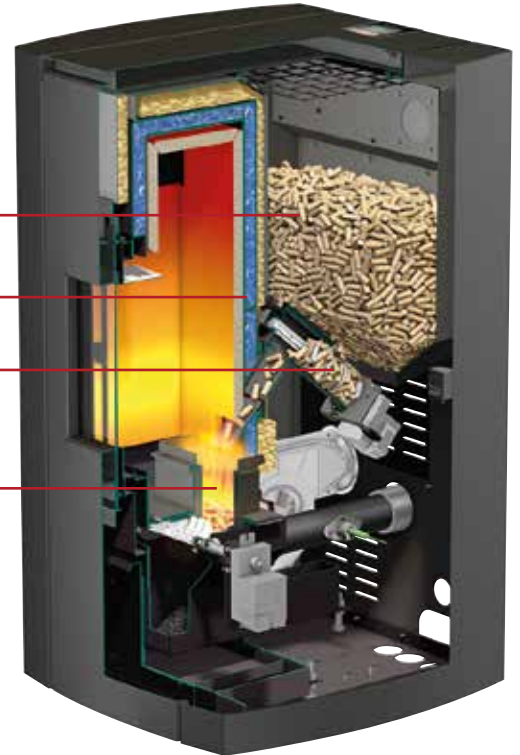
*Want to
know more?*

Further information concerning our stoves
can be found on our webpage
www.justus.de

*Our
Pellet stoves*



*Have a look
inside...*



Storage tank

Water heat
exchanger

Auger

Burner pot



PELLET STOVES WITH AND WITHOUT BOILER FUNCTION

Pellet stoves are getting more and more popular. Easy and comfortable handling and the heating process electronically controlled, similar to a modern oil or gas heating system. With just one pellet tank you can get up to 100 hrs of heating performance.

One more reason for a pellet stove is its environmental friendly and low cost way of heating your home with the natural resource wood.

JUSTUS

PELLET STOVES



A+

AVAILABLE FROM AUGUST 2020



Canis XL

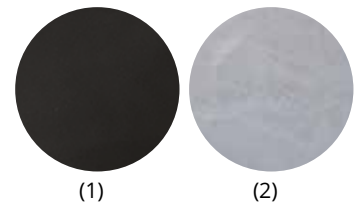
Canis XL, steel black

STANDARD SCOPE OF DELIVERY

- Extra large pellet tank
- State of the art display
- Automatic burner pot cleaning
- Operating times programmable
- Electronically controlled convection fan
- Remote control or via Smartphone (Wifi App)

AVAILABLE DESIGNS:

- (1) Steel black
- (2) Soapstone



The pellet stove Canis XL can be operated independent of ambient air.

State of the art display



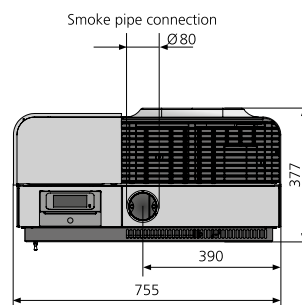
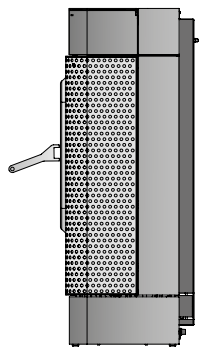
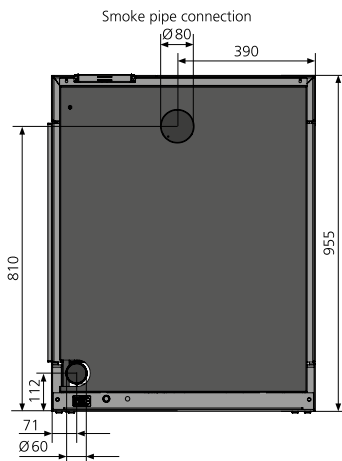
Remote control included



Solid cast iron door



Canis XL, Soapstone



Available designs	Order no.	EAN-Code
Canis XL, steel black	7965 11	4250340912235
Canis XL, Soapstone, corpus steel black	7965 23	4250340912242
Energy efficiency class		A+
Connection possibility		top / rear
Operation with external air		rear / bottom
Nominal heat output	kW	3,0 - 8,0 kW
Weight (incl. packaging)	ca. kg	181
Fuel content	ca. kg	20
Combustion time max.	h	28
Room heating capability	m ³	up to 350
Power connection	V	230
Power consumption	W	30-65

For all technical data please see pages 106 to 109

Illustrations are given as indications only. Optical deviations are no defect.

JUSTUS

PELLET STOVES



A+

AVAILABLE FROM AUGUST 2020



Canis

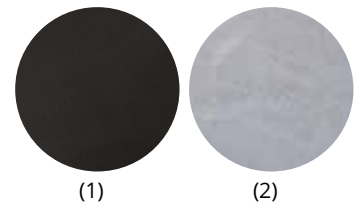
Canis, steel black

STANDARD SCOPE OF DELIVERY

- Extra large pellet tank
- State of the art display
- Automatic burner pot cleaning
- Operating times programmable
- Remote control or via Smartphone (Wifi App)

AVAILABLE DESIGNS:

- (1) Steel black
- (2) Soapstone



The pellet stove Canis can be operated independent of ambient air.

State of the art display



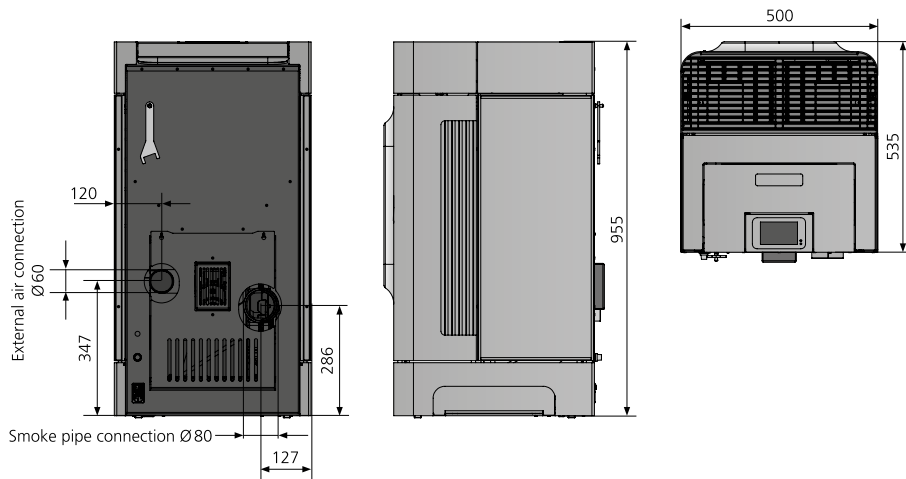
Remote control included



Solid cast iron door



Canis Soapstone, corpus steel black



Available designs	Order no.	EAN-Code
Canis, steel black	7963 11	4250340912211
Canis, Soapstone, corpus steel black	7963 23	4250340912228
Energy efficiency class		A+
Connection possibility		rear
Operation with external air		rear / bottom
Nominal heat output	kW	2,5 - 6,0
Weight (incl. packaging)	ca. kg	175
Fuel content	ca. kg	23
Combustion time max.	h	33
Room heating capability	m ³	up to 250
Power connection	V	230
Power consumption	W	30-40

For all technical data please see pages 106 to 109

Illustrations are given as indications only. Optical deviations are no defect.

JUSTUS

PELLET STOVES



PELLET STOVES WITH BOILER FUNCTION



A+

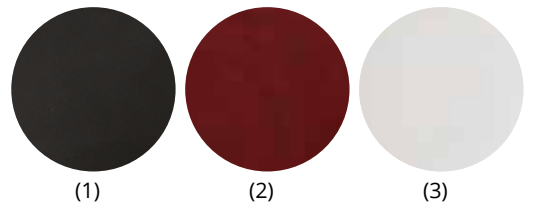
Sirkos & Sirkos Aqua



Sirkos Aqua, Limestone Bianco

AVAILABLE DESIGNS:

- (1) Steel black
- (2) Bordeaux red
- (3) Limestone Bianco



Sirkos,
Bordeaux red

Sirkos, steel black



State of the art display



Extra large pellet storage tank



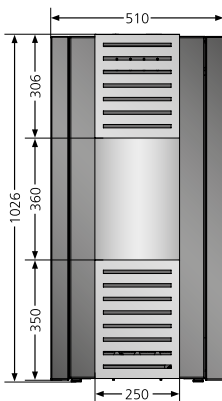
Burning chamber with burner pot

STANDARD SCOPE OF DELIVERY

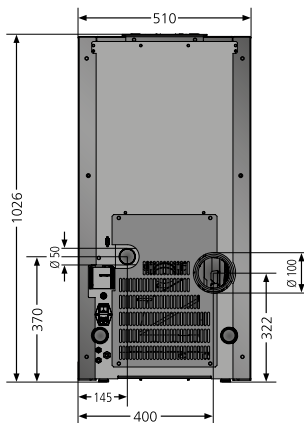
- Extra large pellet storage tank
- Control panel with large display
- Slide mechanism for easy refill
- Height-adjustable feet
- Automatic burner pot cleaning
- Temperature-controlled performance adjustment
- Automatic lowering of temperature at night
- Hours of operation are programmable
- No convection fan

The return flow rise is not included in the scope of delivery.

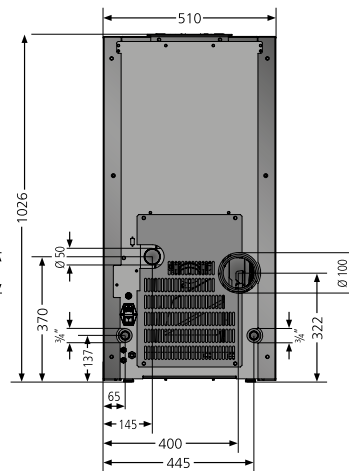
Front view Sirkos & Sirkos Aqua



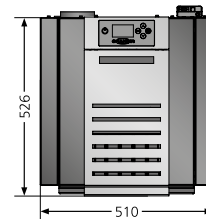
Back view Sirkos



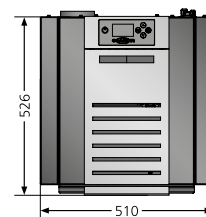
Back view Sirkos Aqua



Top view Sirkos



Top view Sirkos Aqua



Available designs		Order no.	EAN-Code
Sirkos, steel black		7911 11	4250340908818
Sirkos, Bordeaux red		7911 37	4250340911856
Sirkos, Limestone Bianco		7911 87	4250340911863
Sirkos Aqua, steel black		7971 11	4250340908825
Sirkos Aqua, Bordeaux red		7971 37	4250340911870
Sirkos Aqua, Limestone Bianco		7971 87	4250340911887
Optional accessories		Order no.	EAN-Code
AquaLoad storage-charging-station		9206 98	4029808403437
		Sirkos	Sirkos Aqua
Energy efficiency class		A+	A+
Connection possibility		rear	rear
Operation with external air supply		rear	rear
Nominal heat output	kW	2,5 - 6,0	2,8 - 9,2
Water-side performance	kW	-	7,0
Weight (incl. packaging)	ca. kg	157	165
Fuel content	ca. kg	35	35
Combustion time max.	h	60	52
Room heating capability	m ³	up to 210	up to 350
Power connection	V	230	230
Power consumption	W	14-18	14-18

For all technical data please see pages 106 to 109

Illustrations are given as indications only. Optical deviations are no defect.

Wood burning cookers





*Nostalgic, practical -
as in former times*



AS IN FORMER TIMES

Cooking and heating following the latest environmental criteria: The JUSTUS wood range cookers fulfill all these requirements. It is a good feeling to know you cook and heat environmental friendly, modern and economic at the same time.

Our wood range cookers can be installed free standing or integrated into your kitchen furniture. Our JUSTUS wood range cookers fulfill all norms acc. to 2nd level of BImSchV (German regulation). Coziness in your house guaranteed!



Rustico-90 2.0



Option right - baking compartment and smoke pipe connection right
Option left - baking compartment and smoke pipe connection left
(Soapstone version only on request)

Rustico-90 2.0, Black, left



AVAILABLE DESIGNS:

- (1) Black (right / left)
- (2) Bordeaux red (right / left)
- (3) Green (right / left)
- (4) Cream (right / left)
- (5) Soapstone (right / left)



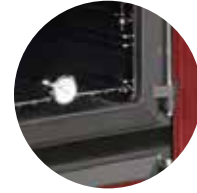
Cream, left



Elegant stove hand rail, stove frame from stainless steel



Green, right



Solid cast iron doors



Bordeaux red, right



Enamelled baking compartment



Soapstone, right



Wooden handles



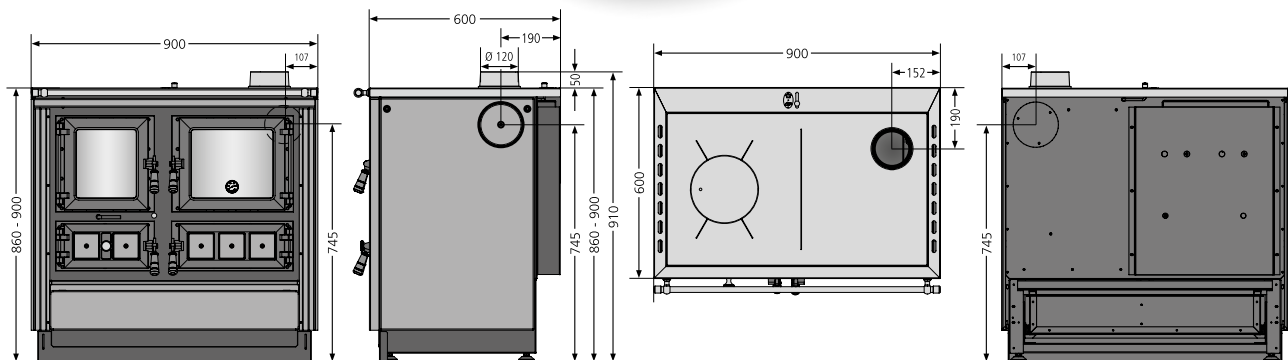
Stovetop

STANDARD SCOPE OF DELIVERY

- Rails for baking tray, including tray and inserted grid
- Elegant stove hand rail
- Connection possibility right/left/rear/top (soapstone only on request).
- All round plinth (three-part)
- Height-adjustable feet (up to 900 mm)
- Drawer with robust rails

OPTIONAL ACCESSORIES

Fire protection unit (except Soapstone)



Available designs	Order no.	EAN-Code
Rustico-90 2.0, Black, right (1)	1896 12	4250340910101
Rustico-90 2.0, Black, left (1)	1896 11	4250340910095
Rustico-90 2.0, Bordeaux red, right (2)	1896 22	4250340910149
Rustico-90 2.0, Bordeaux red, left (2)	1896 21	4250340910132
Rustico-90 2.0, Green, right (3)	1896 16	4250340910118
Rustico-90 2.0, Green, left (3)	1896 17	4250340910125
Rustico-90 2.0, Cream, right (4)	1896 42	4250340910163
Rustico-90 2.0, Cream, left (4)	1896 41	4250340910156
Rustico-90 2.0, Soapstone, right (5)	1896 24	4250340911504
Rustico-90 2.0, Soapstone, left (5)	1896 23	4250340911498

Energy efficiency class		A
Connection possibility		top / rear/ lateral
Nominal heat output	kW	7,0
Height	mm	860 (up to 900)
Width steel / stone	mm	900 / 915
Depth	mm	600
Burning chamber W/H/D	mm	210 / 220 / 450
Size of baking compartment W/H/D	mm	302 / 250 / 433
Weight (incl. packaging) steel / stone	ca. kg	200 / 239
Ø Smoke pipe connection	mm	120
Required discharge pressure	mbar	0,11

For all technical data please see pages 106 to 109

Illustrations are given as indications only. Optical deviations are no defect.



Rustico-50 2.0



Rustico-50 2.0, Bordeaux red

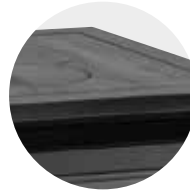


STANDARD SCOPE OF DELIVERY

- Smoke pipe connection top
- Height adjustable feed (up to 900 mm)
- All round plinth (three-part)



Rustico-50 2.0, Soapstone



Stovetop, enamelled stove frame



Smoke pipe connection top



Wooden handles



Solid cast iron door

AVAILABLE DESIGNS:

- (1) Black
- (2) Bordeaux red
- (3) Green
- (4) Cream
- (5) Soapstone



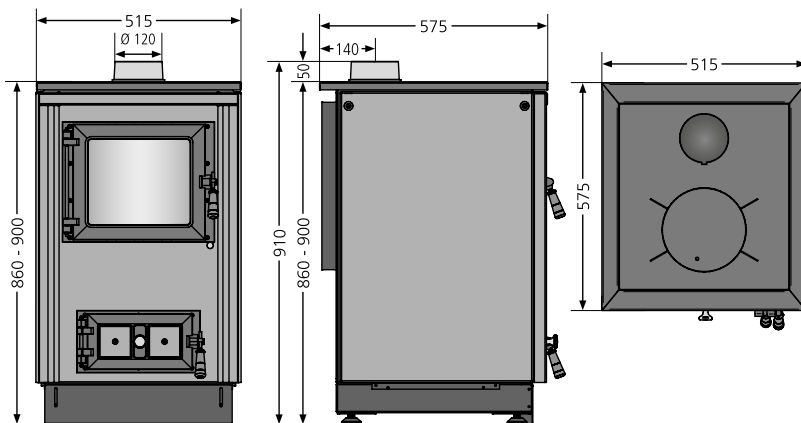
Rustico-50 2.0, Green



Rustico-50 2.0, Black



Rustico-50 2.0, Cream



Available designs	Order no.	EAN-Code
Rustico-50 2.0, Black	1862 11	4250340910064
Rustico-50 2.0, Bordeaux red	1862 21	4250340910071
Rustico-50 2.0, Green	1862 16	4250340910699
Rustico-50 2.0, Cream	1862 41	4250340910088
Rustico-50 2.0, Soapstone	1862 22	4250340911511
Energy efficiency class	A	
Connection possibility	top	
Nominal heat output	7,0	
Height	860 (up to 900)	
Width steel / stone	515 / 530	
Depth	575	
Burning chamber W/H/D	335 / 240 / 375	
Weight (incl. packaging) steel / stone	ca. kg 136,5 / 172,5	
Ø Smoke pipe connection	mm 120	
Required discharge pressure	mbar 0,11	

For all technical data please see pages 106 to 109

Illustrations are given as indications only. Optical deviations are no defect.



Linz-81 2.0



Option right - baking compartment
and smoke pipe connection right
Option left - baking compartment
and smoke pipe connection left

Linz-81 2.0, Black Chrome, right

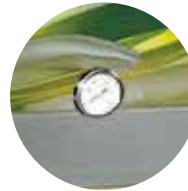


AVAILABLE DESIGNS:

- (1) Black Chrome (right / left)
- (2) White Chrome (right / left)



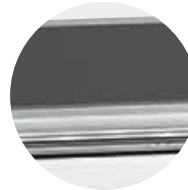
Linz-81 2.0, White Chrome, left



Thermometer baking compartment



Ash drawer with rotating grid



Stovetop



Extra large enamelled baking tray (400 mm)



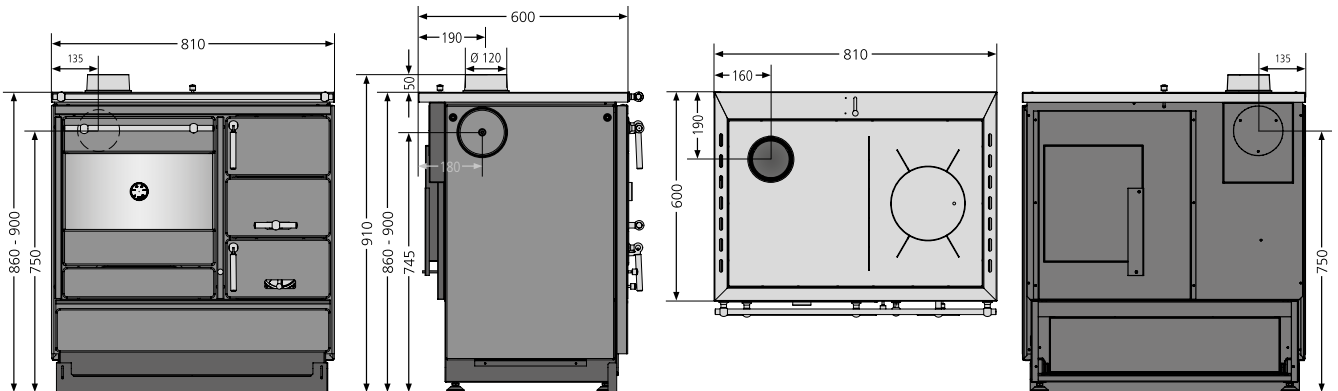
Adjustment winter-/summer combustion possible (by use of a grid)

STANDARD SCOPE OF DELIVERY

- Baking tray; inserted grid
- Ash drawer with rotating grid
- Grid for winter-/summer combustion
- Height adjustable feed (up to 900 mm)
- Drawer with robust rails

OPTIONAL ACCESSORIES

- Fire protection unit



Available designs	Order no.	EAN-Code
Linz-81 2.0, White Chrome, right	1897 04	4250340910170
Linz-81 2.0, White Chrome, left	1897 05	4250340910187
Linz-81 2.0, Black Chrome, right	1897 12	4250340911986
Linz-81 2.0, Black Chrome, left	1897 11	4250340911979
Energy efficiency class	A	
Connection possibility	top / rear / lateral	
Nominal heat output	kW	7,0
Height	mm	860 (up to 900)
Width	mm	810
Depth	mm	600
Burning chamber W/H/D	mm	-
Burning chamber winter combustion W/H/D	mm	200 / 300 / 340
Burning chamber summer combustion W/H/D	mm	200 / 190 / 340
Size of baking compartment W/H/D	mm	350 / 270 / 470
Weight (incl. packaging)	ca. kg	168
Ø Smoke pipe connection	mm	120
Required discharge pressure	mbar	0,11

For all technical data please see pages 106 to 109

Illustrations are given as indications only. Optical deviations are no defect.

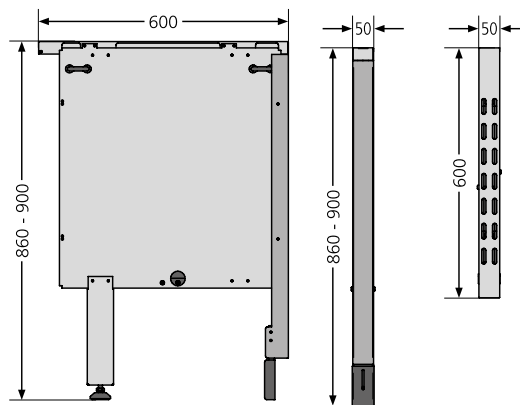
Accessories

Wood burning cookers



FIRE PROTECTION UNIT FOR RUSTICO-90 2.0 / LINZ-81 2.0

Fire protection units are used for heat-resistant attachment to kitchen furniture. The internal parts of the fire protection units are made from galvanized sheet metal. The visible exterior parts are treated with a high temperature resistant surface finish. The fire protection unit is usable on both sides, i.e. it is possible to install it on both sides of the stove. The usage in combination with the smoke connection on the side forms an exception.



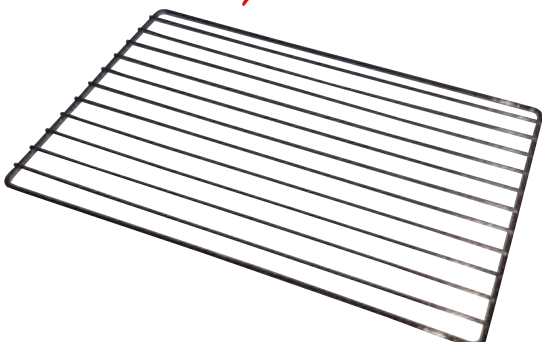
First you have to unscrew two screws on the upper part of the side part in order to disassemble the desired side part. Then take the fire protection unit to the side part of the cooker and fix it with screws. Adjustable screws and an adjustable back foot form part of the fire protection unit. With that you can adjust the desired height.

	Order no.	EAN-Code
Fire protection unit White	9215 74	4250340910231
Fire protection unit Black	9215 75	4250340910248
Fire protection unit Bordeaux red	9215 76	4250340910255
Fire protection unit Cream	9215 77	4250340910262
Fire protection unit Green	9215 79	4250340910286

Rails ...

... FOR BAKING TRAY
INCLUDING TRAY AND
INSERTED GRID
FOR RUSTICO 90 2.0

Included in the scope of delivery.



Rustico-90 2.0, Cream, left

Order no. 1896 41
EAN-Code 4250340910156
(further designs on page 88)



Linz-81 2.0, White Chrome, left

Order no. 1897 05
EAN-Code 4250340910187
(further designs on page 92)

Accessories

Wood stoves with boiler function



AQUACONTROL-TEMPERATURE-DIFFERENCE-CONTROLLER III

The AquaControl-temperature-difference-controller III is the smaller version of the MasterControl. It is used when a wood stove with boiler function operates without solar panel system. The wood stove is wired in series connection to the tank. Achieving the necessary operating temperature at the heating device, the temperature difference-controller controls the AquaLoadPump and the 3-way-cross-valve, using 2 rotational speed controlled relay outputs and 4 sensor inputs.



Aquaload with and without cover

AQUALOAD-STORAGE-CHARGING-STATION

Storage-charging-station in combination with the high efficiency pump Wilo Yonos RS 25-6. Features: Thermo valve for return flow rise up to 55° to avoid falling below the dew point, thermometer for supply and return temperature, special insulation jackets for optimal insulation, solid wall mount.



3-WAY-CROSS-VALVE FOR EXISTING HEATING SYSTEMS

Extra temperature resistant 3-way-cross-valve for connecting the wood stove with boiler function and energy storage into the conventional heating system.



REMOTE TEMPERATURE DISPLAY

The remote temperature display measures the return flow temperature at the energy storage to prevent overheating the heat accumulation tank.

	Order no.	EAN-Code
AquaLoad-storage-charging-station	9206 98	4029808403437
AquaControl-temperature-difference-controller III	9213 22	4250340904933
Remote temperature display for energy storage tank	9207 69	4029808437784
3-way-cross-valve, extra temperature resistant	9207 70	4029808437791

Base plates

clear glass

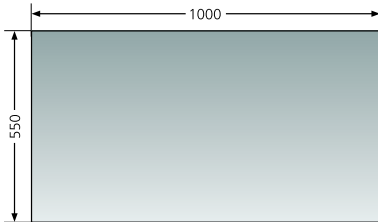


Base plate B3

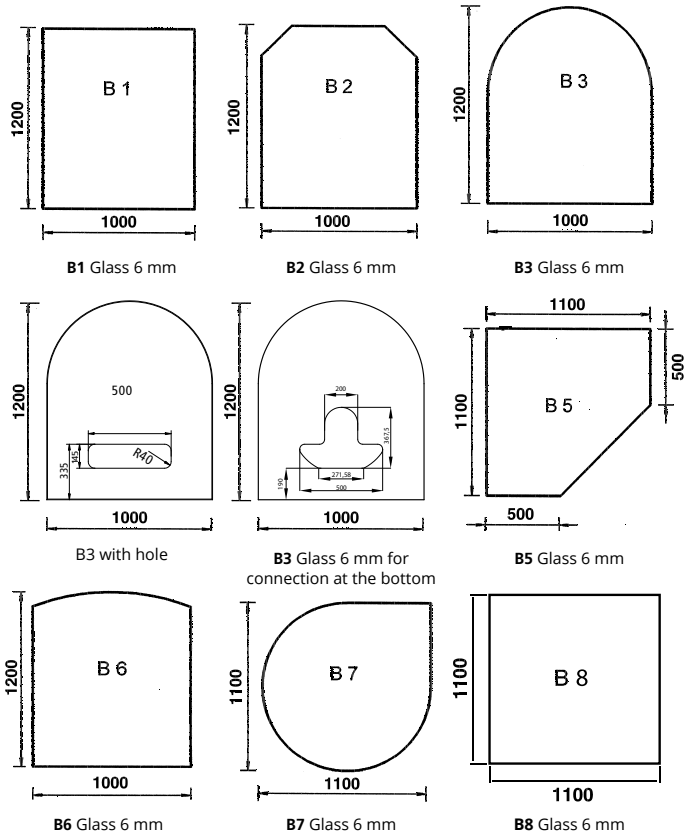
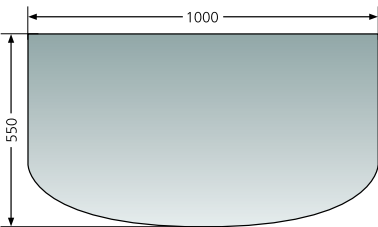
Sealing lip

BASE PLATES MADE OF GLASS

Rectangle
1000 x 550 mm



Round arch
1000 x 550 mm



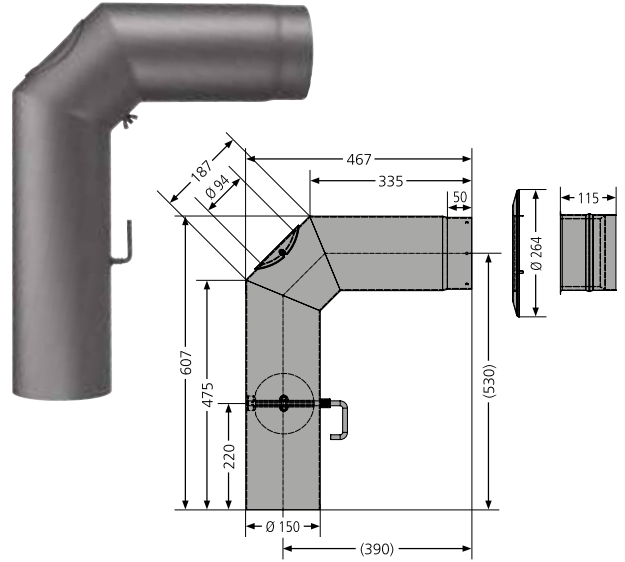
Base plates clear glass		Order no.	EAN-Code
Rectangle B1, Glass 6 mm	1000 x 1200 mm	9201 60	4029807549983
Trapeze B2, Glass 6 mm	1000 x 1200 mm	9201 61	4029807549570
Round arch B3, Glass 6 mm	1000 x 1200 mm	9201 62	4029807549594
Round arch B3, Glass 6 mm with hole	1000 x 1200 mm	9201 99	4029808478886
Round arch B3, Glass 6 mm for connection at the bottom	1000 x 1200 mm	9214 05	4029808524286
Corner model B5, Glass 6 mm	1100 x 1100 mm	9201 64	4029807549617
Arch B6, Glass 6 mm	1000 x 1200 mm	9201 65	4029807549624
Drop B7, Glass 6 mm	Ø 1100 mm	9201 66	4029807549631
Square B8, Glass 6 mm	1100 x 1100 mm	9201 67	4029807551054
Sealing lip, sufficient for each glass base plate		9201 58	4029807799494
Base plates		Order no.	EAN-Code
Rectangle	1000 x 550 mm	9215 60	4029808575981
Round arch	1000 x 550 mm	9215 61	4029808575998

Smoke pipe accessories

*Wood stoves &
Wood stoves with
boiler function*

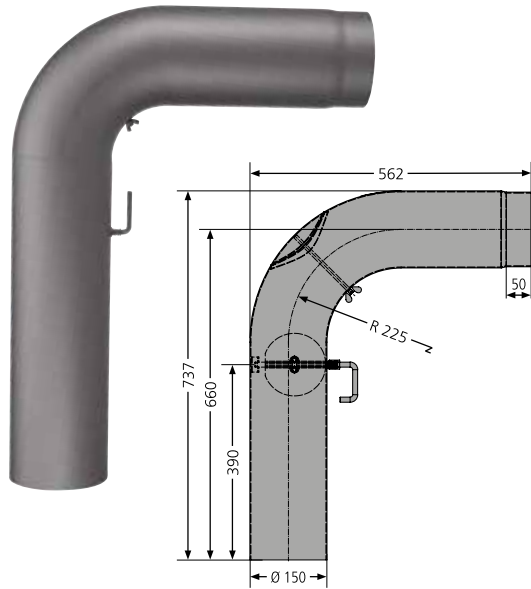


Connecting piece mounted



PIPE SET STANDARD

incl. throttle valve, double wall lining and rosette. In steel grey or black.



PIPE SET PULLED

incl. throttle valve, double wall lining and rosette. In steel grey or black.

		Order no.	EAN-Code
Pipe set* standard, black	Length = 250 mm	9200 92	4029807549969
Pipe set* standard, steel grey	Length = 250 mm	9200 93	4029807580078
Pipe set* pulled, black	Length = 150 mm	9200 94	4029807549952
Pipe set* pulled, steel grey	Length = 150 mm	9200 95	4029807648846

Double wall pipe systems on request!



		Order no.	EAN-Code
Smoke pipe with throttle valve, black	Length = 250 mm	9202 36	4029807771322
Smoke pipe with throttle valve, steel grey	Length = 250 mm	9202 37	4029807771339
Smoke pipe, black	Length = 150 mm	9202 72	4029807780683
Smoke pipe, steel grey	Length = 150 mm	9202 73	4029807780690
Smoke pipe, black	Length = 250 mm	9202 40	4029807771360
Smoke pipe, steel grey	Length = 250 mm	9202 41	4029807771377
Smoke pipe, black	Length = 500 mm	9202 44	4029807771407
Smoke pipe, steel grey	Length = 500 mm	9202 45	4029807771414
Smoke pipe, black	Length = 1000 mm	9202 48	4029807771445
Smoke pipe, steel grey	Length = 1000 mm	9202 49	4029807771452
Double wall lining	-	9202 52	4029807771483
Rosette, black	Width = 50 mm	9202 56	4029807771520
Rosette, steel grey	Width = 50 mm	9202 57	4029807771537
Pipe bend, black	0° - 90° adjustable	9202 64	4029807771605
Pipe bend, steel grey	0° - 90° adjustable	9202 65	4029807771612
Pipe bend, black	45°	9204 93	4029808438200
Pipe bend, steel grey	45°	9204 94	4029808438217
Pipe bend, black	90°	9204 95	4029808438224
Pipe bend, steel grey	90°	9204 96	4029808403307
Wall duct (for external combustion air connection)	-	9213 01	4029808478527
Duct for stove (for external combustion air connection)	-	9213 02	4029808478534
Flexible aluminium pipe, black	60 -150 cm	9213 03	4029808478541
Flexible aluminium pipe, grey	60 -150 cm	9213 04	4029808478558
Rosette with clamps, black	-	9213 05	4029808478565
Rosette with clamps, grey	-	9213 06	4029808478572
Connecting piece for combustion air supply	-	9200 69	4029807779991

Double wall pipe systems on request!

Accessories

... wood- and pellet stoves



ROTATING TRAY WITH LOCKING MECHANISM

Make your stove turnable! The rotating tray fits for all round JUSTUS wood stoves (only top flue pipe connection, not for devices with external combustion air connection).

Boot lock with locking mechanism. Available in 2 sizes and colors.



JUSTUS GLOVE

Fire may emit sparks. The JUSTUS glove made of black suede leather with soft inside is suitable for both left and right hands. It protects your hand and lower arm when recharging your stove with wood logs.

	Order no.	EAN-Code
Rotating tray black, Ø 460 mm (Mino 2.0, Mino Top 2.0, Mino Trios 2.0)	9214 72	4029808539426
Rotating tray black, Ø 510 mm (Faro W+ 2.0, Faro 2.0, Faro Top 2.0)	9214 73	4029808539433
Rotating tray steel grey, Ø 460 mm (Mino 2.0, Mino Top 2.0, Mino Trios 2.0)	9215 03	4029808545991
Rotating tray steel grey, Ø 510 mm (Faro W+ 2.0, Faro 2.0, Faro Top 2.0)	9215 04	4029808546004
JUSTUS glove	9215 58	4250340909822

Accessories

... for Pellet stoves



			Order no.	EAN-Code
Ø 100 mm				
Pellet-pipe with service opening black enamelled	Ø 100 mm	Length = 250 mm	9207 76	4029808438255
Pellet-pipe black enamelled	Ø 100 mm	Length = 250 mm	9207 77	4029808438262
Pellet-pipe black enamelled	Ø 100 mm	Length = 500 mm	9207 78	4029808438279
Pellet-pipe black enamelled	Ø 100 mm	Length = 750 mm	9207 79	4029808438286
Pellet-pipe black enamelled	Ø 100 mm	Length = 1000 mm	9207 80	4029808438293
Pellet bend black enamelled	Ø 100 mm	45°	9207 81	4029808438309
Pellet bend black enamelled	Ø 100 mm	90°	9207 82	4029808438316
Pellet rosette black enamelled	Ø 100 mm		9207 83	4029808438323
Double wall lining	Ø 100 mm		9207 84	4029808438347
Seal ring	Ø 100 mm		9207 85	4029808438330
Pellet stove connection black enamelled	Ø 100 mm		9207 86	4029808438354
Pellet flue pipe connection black enamelled	Ø 100 mm		9207 87	4029808438361
Pellet bow black enamelled	Ø 100 mm		9207 88	4029808438378
Ø 80 mm				
Pellet-pipe with service opening black enamelled	Ø 80 mm	Length = 250 mm	9216 25	4029808606920
Pellet-pipe black enamelled	Ø 80 mm	Length = 250 mm	9216 26	4029808606937
Pellet-pipe black enamelled	Ø 80 mm	Length = 500 mm	9216 27	4029808606944
Pellet-pipe black enamelled	Ø 80 mm	Length = 750 mm	9216 28	4029808606951
Pellet-pipe black enamelled	Ø 80 mm	Length = 1000 mm	9216 29	4029808606968
Pellet bend black enamelled	Ø 80 mm	45°	9216 30	4029808606975
Pellet bend black enamelled	Ø 80 mm	90°	9216 31	4029808606982
Pellet rosette black enamelled	Ø 80 mm		9216 32	4029808606999
Double wall lining	Ø 80 mm		9216 33	4029808607002
Seal ring	Ø 80 mm		9216 34	4029808607019
Pellet stove connection black enamelled	Ø 80 mm		9216 35	4029808607026
Pellet flue pipe connection black enamelled	Ø 80 mm		9216 36	4029808607033
Pellet bow black enamelled	Ø 80 mm		9216 37	4029808607040

Color variations

Natural stones

ARE GENUINELY
UNIQUE



Soapstone



Sandstone



Limestone cream



Limestone Bianco

Stone is a natural product, created millions of years ago. It is composed of several textures, hardnesses and colors. Thus, each stone pattern is unique in its form as nature itself. Color differences, cloudiness, veins and shadows are essential characteristics that make each stone set an unique piece.

With these different densities and respective hardnesses, the surface of a stone can also appear differently. The surface of harder rock gives a shiny finish, while the finish of softer stone appears rather matt.

Whether soapstone, limestone or sandstone, the natural stones used for cladding ORANIER stoves are cut from different stone quarries. Nature ensures that no two stones are alike, making every variation a value in itself and emphasizes the special touch of each stove. It is for this reason that the exact color and structure of the stones mapped out and shown in the models are a subject to change.

The exact match of the color or decor shown here cannot be guaranteed and is therefore excluded from guarantee.



Ceramic

THE NEW CERAMIC LOOK -
CORRETTO, GRAPPA,
FREDDO AND NAMIB

- Each piece is unique
- High qualitative manufacturing by multiple wipe technique in manual work
- Large heat accumulation stone capacity due to a high amount of fireclay



Ceramic Corretto



Ceramic Freddo



Ceramic Grappa



Ceramic Namib

Classic Ceramics

FOR MODEL BAVARIA



Bordeaux red



Green



Maple white



Black



Cover plates

FOR THE WOOD STOVES
MINO 2.0 / MINO TRIOS 2.0
AND MEVA



Steel black



Glass



Soapstone



Sandstone



Ceramic Bordeaux red



Ceramic Limestone Bianco



Ceramic Grappa





Even though heating with wood is very traditional, it became much more popular in the last years. To drive forward an environmental friendly wood stove development the German government introduced the so called „Bundesimmissionsschutzverordnung (BImSchV)“ which defines the emission limits. In 2015, the 2nd stage of the BImSchV has become valid requiring even stricter emission limits for Germany and also several other countries (depending on the type of stove: 0,02 - 0,04 mg/m³ for dust; 0,25 - 1,50 g/m³ CO). Wood stoves that operate within these ranges can be used in Germany, Austria and Switzerland, also in urban areas. These modern wood stoves are made to use the right air flow and materials to create a high performance combustion. Compared to an old traditional fireplace a modern wood stove can reduce the emissions up to 85%. All our products fulfill the requirements of the latest BImSchV which means they are guaranteed clean.

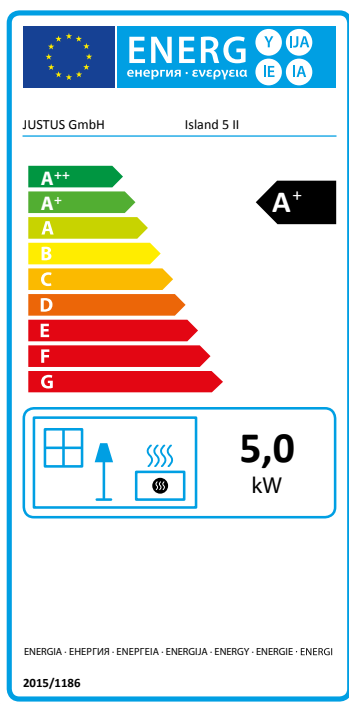
ENERGY EFFICIENCY LABEL REGULATES THE HEAT ECONOMY FROM NOW ON

As known from electronic devices now the energy efficiency class label is introduced to the heat economy.

Since the 01.01.2018, the government requires an energy efficiency class label for all single room heating devices (liquid and solid fuels) with a nominal heat output below 50kW.

This is shown on the Label: The energy efficiency classes range from A++ to G, which are also equivalent to the color gradient from green to red. The black arrow on the right defines the class of the referred device. Underneath the two boxes show the heat performance. The top one refers to the installation room, the bottom box to the transfer into a heating system, both in kW.

For the consumer the energy efficiency label is a very useful tool to compare different devices, using different fuels for example, with each other.





*For our
environment*

Technical Data



Wood stoves



	Centro	Voga (W+)	Diego W+	Tova (W+)	Agero W+	Agero 2.0
Page	12	14	16	18	20	22
Energy efficiency class	A+	A+	A+	A+	A	A
Tested according to DIN EN 13240	x	x	x	x	x	x
Meets requirements of BImSchV level 2	x	x	x	x	x	x
DIBT-certification	-	-	-	-	-	-
Suitable for multiple connection to chimney	x	x	x	x	x	x
Single connection to chimney necessary	-	-	-	-	-	-
Connection possibility	top / rear	top / rear	top	top / rear	top / rear	top / rear
Operation with external air	-	-	-	-	-	-
Operation with external air supply	rear / bottom	rear / bottom	rear / bottom	rear / bottom	rear / bottom	rear / bottom
Nominal heat output	7,0	7,0	6,0	6,0	7,0	7,0
Water-side performance	-	-	-	-	-	-
Height	1623	1165	1248	¹⁾ 1065 / ²⁾ 1510	¹⁾ 1259 / ²⁾ 1285	¹⁾ 1029 / ²⁾ 1055
Width	850	620	445	505	809	809
Depth	647	455	445	405	449	449
Weight (incl. packaging)	473	210	212	126	¹⁾ 261 / ²⁾ 365	¹⁾ 160 / ²⁾ 248
Weight heat accumulation stone W+	-	64	60	30	87	-
Room heating capability	144	131	115	115	144	144
Efficiency	> 82	> 80	> 80	> 80	> 75	> 75
Length of logs	33	40	33	30	50	50
Permissible supply temperature	-	-	-	-	-	-
Permissible operating pressure	-	-	-	-	-	-
Height up to lower edge pipe connection (rear)	1355	913	-	835	831	837
Height up to upper edge pipe connection (top)	1285	1120	1200	1080	1046	1046
Rear edge up to center of flue pipe (top)	239	227	218	149	225	225
Ø Flue pipe connection / air connection	150 / 100	150 / 100	150 / 100	150 / 100	150 / 100	150 / 100
Data for chimney calculation according to DIN EN 13384						
Exhaust gas mass flow	7,0	6,6	5,6	6,1	6,7	6,7
Exhaust gas temperature	308	316	273	260	389	389
Required discharge pressure	0,12	0,12	0,12	0,12	0,12	0,12
Safety distance lateral	15	400	800	200	200	200
Safety distance rear	0	200	200	200	200	200
Safety distance front	800	1250	800	800	800	800
Wood / brown coal briquettes	Wood / BB7	Wood / BB7	Wood/BB7	Wood / BB7	Wood	Wood

1) with E-Blok
2) without E-Blok

1) Steel
2) Stone

1) Steel
2) Stone



Wood stoves



	Mino 2.0	Baltrum D	Austin 5	Austin 7	Frisco 2.0	Reno R
Page	40	42	44	46	48	50
Energy efficiency class	A+	A+	A+	A+	A+	A+
Tested according to DIN EN 13240	x	x	x	x	x	x
Meets requirements of BImSchV level 2	x	x	x	x	x	x
DIBT-certification	-	-	-	-	-	Z-43.12-353
Suitable for multiple connection to chimney	x	x	x	x	x	-
Single connection to chimney necessary	-	-	-	-	-	x
Connection possibility	top	top / rear	top / rear	top / rear	top / rear	top / rear
Operation with external air	-	-	-	-	-	rear / bottom
Operation with external air supply	rear / bottom	rear	rear / bottom	rear / bottom	rear	-
Nominal heat output	5,5	5,5	5,0	7,0	5,5	6,0
Water-side performance	-	-	-	-	-	-
Height	¹⁾ 1022 / ²⁾ 1047	¹⁾ 958 / ²⁾ 1003	¹⁾ 1053 / ²⁾ 1080	¹⁾ 1153 / ²⁾ 1179	1030	¹⁾ 1000 / ²⁾ 1036
Width	Ø 458	475	528	565	519	¹⁾ 550 / ²⁾ 553
Depth	Ø 458	400	420	455	432	452
Weight (incl. packaging)	¹⁾ 108 / ²⁾ 117	¹⁾ 95 / ²⁾ 121	¹⁾ 122 / ²⁾ 141	¹⁾ 121 / ²⁾ 164	¹⁾ 131 / ²⁾ 156	¹⁾ 116 / ²⁾ 216
Weight heat accumulation stone W+	-	-	-	-	-	-
Room heating capability	88	88	88	144	88	124
Efficiency	> 80	> 80	> 80	> 80	> 80	> 80
Length of logs	25	25	25	30	30	33
Permissible supply temperature	-	-	-	-	-	-
Permissible operating pressure	-	-	-	-	-	-
Height up to lower edge pipe connection (rear)	-	735	865	977	813	797
Height up to upper edge pipe connection (top)	1029	980	1070	1163	1025	1036
Rear edge up to center of flue pipe (top)	229	150	130	147	133	161
Ø Flue pipe connection / air connection	150 / 100	150 / 100	150 / 100	150 / 100	150 / 100	150 / 100
Data for chimney calculation according to DIN EN 13384						
Exhaust gas mass flow	5,2	5,0	4,6	5,7	5,1	5,7
Exhaust gas temperature	295	295	300	347	254	362
Required discharge pressure	0,12	0,12	0,12	0,12	0,12	0,12
Safety distance lateral	200	200	200	200	200	300
Safety distance rear	200	200	200	200	200	200
Safety distance front	800	800	800	800	800	1000
Wood / brown coal briquettes	Wood/BB7	Wood / BB7	Wood / BB7	Wood / BB7	Wood / BB7	Wood/BB7
	1) Steel/Glass 2) Stone/Ceramic	1) Steel 2) Stone	1) Steel 2) Stone	1) Steel 2) Stone	1) Steel 2) Stone	1) Steel 2) Stone



Wood stoves



	Kaskade 2.0	Faro W+ 2.0	Faro Top 2.0	Faro 2.0	Mino Top 2.0	Mino Trios 2.0
Page	24	28	30	32	36	38
Energy efficiency class	A+	A+	A+	A+	A+	A
Tested according to DIN EN 13240	x	x	x	x	x	x
Meets requirements of BImSchV level 2	x	x	x	x	x	x
DIBT-certification	-	-	-	-	-	-
Suitable for multiple connection to chimney	x	x	x	x	x	x
Single connection to chimney necessary	-	-	-	-	-	-
Connection possibility	top / rear	top / rear	top / rear	top / rear	top	top
Operation with external air	-	-	-	-	-	-
Operation with external air supply	rear / bottom	rear / bottom	rear / bottom	rear / bottom	rear / bottom	rear / bottom
Nominal heat output	6,5	7,0	6,0	6,0	5,5	5,5
Water-side performance	-	-	-	-	-	-
Height	1235	1501	1153	¹⁾²⁾ 1153 / ³⁾ 1191	1022	¹⁾²⁾ 1042 / ³⁾ 1067
Width	1026	Ø 520	Ø 520	Ø 520	Ø 458	Ø 458
Depth	631	Ø 520	Ø 520	Ø 520	Ø 458	Ø 458
Weight (incl. packaging)	180	^{1)260/2)264/3)328}	^{1) 154 / 2) 154}	^{1)143/2)143/3)164}	115	^{1)98/2)98/3)107}
Weight heat accumulation stone W+	-	85	-	-	-	-
Room heating capability	131	144	124	124	88	88
Efficiency	> 81	> 80	> 80	> 80	> 80	> 80
Length of logs	33	33	33	33	25	30
Permissible supply temperature	-	-	-	-	-	-
Permissible operating pressure	-	-	-	-	-	-
Height up to lower edge pipe connection (rear)	961	1209 / 947	947	947	-	-
Height up to upper edge pipe connection (top)	1225	1440 / 1170	1170	1170	1029	1052
Rear edge up to center of flue pipe (top)	167	260	260	260	229	229
Ø Flue pipe connection / air connection	150 / 100	150 / 100	150 / 100	150 / 100	150 / 100	150 / 100
Data for chimney calculation according to DIN EN 13384						
Exhaust gas mass flow	6,2	6,4	6,4	6,4	5,2	6,0
Exhaust gas temperature	282	302	262	262	295	282
Required discharge pressure	0,12	0,12	0,12	0,12	0,12	0,12
Safety distance lateral	200	200	200	200	200	800
Safety distance rear	200	200	200	200	200	200
Safety distance front	800	800	800	800	800	800
Wood / brown coal briquettes	Wood / BB7	Wood / BB7	Wood/BB7	Wood/BB7	Wood/BB7	Wood/BB7

* **Attention** : Measurements can change during the year. Core drilling only when product is installed at premises.

1) Steel 2) Glass 3) Stone
1) Steel 2) Glass
1) Steel 2) Glass 3) Stone/Ceramic
1) Steel 2) Glass 3) Stone/Ceramic



Wood stoves



	Meva	Island 5	Island 7	Usedom 5 W+ 2.0	Usedom 5	Usedom 5 D
Page	34	52	54	56	58	60
Energy efficiency class	A	A+	A+	A+	A+	A+
Tested according to DIN EN 13240	x	x	x	x	x	x
Meets requirements of BImSchV level 2	x	x	x	x	x	x
DIBT-certification	-	-	-	-	-	-
Suitable for multiple connection to chimney	x	x	x	x	x	x
Single connection to chimney necessary	-	-	-	-	-	-
Connection possibility	top	top / rear	top / rear	top / rear	top / rear	top / rear
Operation with external air	-	-	-	-	-	-
Operation with external air supply	rear / bottom	rear	rear	rear	rear	rear
Nominal heat output	5,5	5,0	6,5	5,0	5,5	5,5
Water-side performance	-	-	-	-	-	-
Height	^{1) 1115 / 2) 1140}	^{1) 1085 / 2) 1115}	^{1) 1141 / 2) 1166}	1110	^{1) 953 / 2) 982}	^{1) 953 / 2) 982}
Width	458	529	604	492	^{1) 435 / 2) 492}	492
Depth	458	417	497	373	^{1) 375 / 2) 373}	373
Weight (incl. packaging)	^{1) 98 / 2) 107}	^{1) 96 / 2) 138}	^{1) 120 / 2) 175}	126	^{1) 89 / 2) 116}	^{1) 91 / 2) 116}
Weight heat accumulation stone W+	-	-	-	35	-	-
Room heating capability	88	88	131	88	88	88
Efficiency	> 78	> 80	> 80	> 80	> 80	> 80
Length of logs	30	30	33	25	25	25
Permissible supply temperature	-	-	-	-	-	-
Permissible operating pressure	-	-	-	-	-	-
Height up to lower edge pipe connection (rear)	-	863	893	755	755	758
Height up to upper edge pipe connection (top)	1052	1105	1145	955	965	965
Rear edge up to center of flue pipe (top)	229	131	167	120	120	120
Ø Flue pipe connection / air connection	150 / 100	150 / 100	150 / 100	150 / 100	150 / 100	150 / 100
Data for chimney calculation according to DIN EN 13384						
Exhaust gas mass flow	6,0	5,8	7,2	4,6	5,0	5,0
Exhaust gas temperature	282	266	256	270	284	294
Required discharge pressure	0,12	0,12	0,12	0,12	0,12	0,12
Safety distance lateral	800	200	300	200	200	200
Safety distance rear	200	200	200	200	200	200
Safety distance front	800	800	800	800	800	800
Wood / brown coal briquettes	Wood/BB7	Wood/BB7	Wood/BB7	Wood/ BB7	Wood/BB7	Wood/BB7

1) Steel 2) Glass/Stone
1) Steel 2) Stone/Ceramic
1) Steel 2) Stone/Ceramic
1) Steel 2) Stone

Technical Data



Wood stoves

	Usedom 7	Bavaria	Texas	Vegas
Page	62	64	66	68
Energy efficiency class	A	A+	A+	A+
Tested according to DIN EN 13240	x	x	x	x
Meets requirements of BImSchV level 2	x	x	x	x
DIBT-certification	-	-	-	-
Suitable for multiple connection to chimney	x	x	x	x
Single connection to chimney necessary	-	-	-	-
Connection possibility	top / rear	top / rear	top	top
Operation with external air	-	-	-	-
Operation with external air supply	rear	-	-	-
Nominal heat output	7,0	7,0	6,0	6,0
Water-side performance	-	-	-	-
Height	mm	1000	1010	944
Width	mm	¹⁾ 520 / ²⁾ 586	766	518
Depth	mm	475	450	410
Weight (incl. packaging)	ca. kg	¹⁾ 122 / ²⁾ 173	170	90
Weight heat accumulation stone W+	ca. kg	-	-	-
Room heating capability	m ³	144	144	124
Efficiency	%	> 80	> 80	> 80
Length of logs	cm	33	33	30
Permissible supply temperature	°C	-	-	-
Permissible operating pressure	bar	-	-	-
Height up to lower edge pipe connection (rear)	mm	889	730	-
Height up to upper edge pipe connection (top)	mm	1140	945	994
Rear edge up to center of flue pipe (top)	mm	156	165	123
Ø Flue pipe connection / air connection	mm	150 / 100	150	150
Data for chimney calculation according to DIN EN 13384				
Exhaust gas mass flow	g/s	8,1	8,7	7,3
Exhaust gas temperature	°C	292	271	231
Required discharge pressure	mbar	0,12	0,12	0,12
Safety distance lateral	mm	200	200	300
Safety distance rear	mm	250	200	200
Safety distance front	mm	800	800	800
Wood / brown coal briquettes		Wood/BB7	Wood/BB7	Wood/BB7

1) Steel 2) Stone





Pellet stoves / with boiler function

	Sirkos	Sirkos Aqua	Canis	Canis XL
Page	84	84	82	80
Energy efficiency class	A+	A+	A+	A+
Tested according to DIN 18894, EN 14785 and § 15a	x	x	x	x
Meets requirements of BImSchV level 2	x	x	x	x
Connection possibility	rear	rear	rear	top / rear
DIBT-certification	-	-	applied for	applied for
Operation with external air supply	rear	rear	rear / bottom	rear / bottom
Operation with external air	-	-	-	-
Nominal heat output	2,5 - 6,0	2,8 - 9,2	2,5 - 6,0	3,0 - 8,0
Water-side performance	kW	7,0	-	-
Height	mm	1026	955	955
Width	mm	510	510	755
Depth	mm	526	526	377
Weight (incl. packaging)	ca. kg	157	165	181
Room heating capability	m ³	up to 210	up to 350	up to 350
Ø Smoke pipe connection	mm	100	100	80
Fuel content	ca. kg	35	35	24
Combustion time max.	h	60	52	42
Efficiency according to examination certificate	%	> 88	> 90	91
Power connection	V	230	230	230
Power consumption	W	14-18	14-18	30-40
Electric ignition		x	x	x
Boiler thermostat		-	x	-
Time switch function with external release		x	x	x
Remote control		-	optional	optional
Smartphone control via WiFi-App		-	x	x
Connection for inlet / outlet	"AG	-	3/4	-
STB	mm	built-in	built-in	built-in
Safety distance				
Safety distance lateral	mm	150	150	200
Safety distance rear	mm	100	100	200
Safety distance front	mm	800	800	800



Wood stoves with boiler function




	Faro Aqua 2.0	Island Aqua
		
Page	72	74
Energy efficiency class	A+	A+
Tested according to DIN EN 13240	x	x
Meets requirements of BImSchV level 2	x	x
DIBT-certification	-	-
Suitable for multiple connection to chimney	x	x
Single connection to chimney necessary	-	-
Connection possibility	top	top / rear
Operation with external air	-	-
Operation with external air supply	rear / bottom	rear
Nominal heat output	8,5 kW	10,0 kW
Water-side performance	4,7 kW	6,0 kW
Height	1501 mm	¹⁾ 1134 / ²⁾ 1166 mm
Width	Ø 520 mm	605 mm
Depth	Ø 520 mm	557 mm
Weight (incl. packaging)	ca. kg ¹⁾ 207 / ²⁾ 264	¹⁾ 148 / ²⁾ 202
Weight heat accumulation stone W+	ca. kg -	-
Room heating capability	m ³ 200	200
Efficiency	% > 80	> 82
Length of logs	cm 33	33
Permissible supply temperature	°C 95	95
Permissible operating pressure	bar 3	3
Height up to lower edge pipe connection (rear)	mm -	893
Height up to upper edge pipe connection (top)	mm 1490	1115
Rear edge up to center of flue pipe (top)	mm 260	167
Ø Flue pipe connection / air connection	mm 150 / 100	150 / 100
Data for chimney calculation according to DIN EN 13384		
Exhaust gas mass flow	g/s 7,3	8,8
Exhaust gas temperature	°C 299	254
Required discharge pressure	mbar 0,12	0,12
Safety distance lateral	mm 200	200
Safety distance rear	mm 200	200
Safety distance front	mm 800	800
Wood / brown coal briquettes	Wood / BB7	Wood / BB7

1) Steel 2) Stone

1) Steel 2) Stone



Wood burning cookers

	Rustico-90 2.0	Rustico-50 2.0	Linz-81 2.0
			
Page	88	90	92
Energy efficiency class	A	A	A
Tested according to DIN EN 12815	x	x	x
Meets requirements of BImSchV level 2	x	x	x
Construction type 2	x	x	x
Multiple connection to chimney admissible	x	-	x
Continuous usage	x	x	x
Connection possibility	top / rear / lateral**	top	top / rear / lateral
Nominal heat output	kW 7,0	7,0	7,0
Room heating capability	m ³ 144,0	144,0	144,0
Length of logs	cm 40	35	33
Efficiency	% > 73	> 76	> 74
Height	mm 860 (up to 900)	860 (up to 900)	860 (up to 900)
Width	mm ¹⁾ 900 / ²⁾ 915	¹⁾ 515 / ²⁾ 530	810
Depth	mm 600	575	600
Burning chamber door W/H	mm 195 / 230	195 / 230	200 / 135
Burning chamber W/H/D	mm 210 / 220 / 450	335 / 240 / 375	-
Burning chamber winter combustion W/H/D	mm -	-	200 / 300 / 340
Burning chamber summer combustion W/H/D	mm -	-	200 / 190 / 340
Size of baking compartment W/H/D	mm 302 / 250 / 433	-	350 / 270 / 470
Height up to upper edge pipe connection (top)	mm 910*	910*	910*
Outer edge up to center of pipe connection (top)	mm 152	257,5	160
Rear edge up to center of pipe connection (top)	mm 190	140	190
Height up to lower edge pipe connection (rear)	mm 685*	-	690*
Outer edge up to center of pipe connection (rear)	mm 107	-	135
Height up to lower edge of pipe connection (lateral)	mm 685*	-	685*
Rear edge up to center of pipe connection (lateral)	mm 190	-	180
Ø Smoke pipe connection	mm 120	120	120
Weight Brutto	ca. kg ¹⁾ 200 / ²⁾ 239	¹⁾ 136,5 / ²⁾ 172,5	168,0
Weight Netto	ca. kg ¹⁾ 171 / ²⁾ 210	¹⁾ 119 / ²⁾ 151	139,0
Adjusting feet	mm 860-900	860-900	860-900
Wooden handles	x	x	-
Stainless steel stove frame	x	-	x
Fire protection unit 50 mm	x	-	x
Stovetop lacquered	x	x	x
Data for chimney calculation according to DIN EN 13384			
Exhaust gas mass flow	g/s 11,1	7,2	12,4
Exhaust gas temperature	°C 242	310	193
Required discharge pressure	mbar 0,11	0,11	0,11
Safety distance lateral	mm 200	200	200
Safety distance rear	mm 250	250	200
Safety distance front	mm 750	850	750
Safety distance top	mm 900	900	800
Wood / brown coal briquettes	Wood	Wood	Wood

1) Steel 2) Stone

1) Steel 2) Stone

* Dimensions are dependent on the adjusted cooker height (860-900 mm) ** For soapstone only on request



General Terms and Conditions of Justus GmbH

1. General

To the extent that no other written agreement is made, sale, delivery, and payment shall be governed exclusively by these General Terms and Conditions. These General Terms and Conditions shall govern the entire business relationship entered into with Buyer, even if no specific reference is made to these Terms and Conditions in subsequent business dealings. They shall apply even if Buyer in its order or in a letter of confirmation makes reference to other terms and conditions, unless we have expressly agreed to such terms and conditions in writing. Deviating terms and conditions of purchase of Buyer are hereby expressly rejected. Conflicting terms and conditions of purchase of Buyer shall not be binding upon us even if we do not expressly reject them once more upon signing the contract. Our General Terms and Conditions are deemed accepted upon acceptance of our goods at the latest. Goods purchased for use within the domestic market (domestic customs territory) may not be exported, and goods purchased for the foreign market may not be used in the domestic market.

2. Offer and order

- a) Any weights and dimensions given in offers, sample books, or in other printed matter shall be non-binding. Any offers shall always be subject to change without notice. Any orders will only be deemed accepted after they have been confirmed by us, irrespective of whether they have been placed with us directly by Buyer or by a representative. Order confirmations shall be binding even if submitted unsigned.
- b) Calculations shall always be on the basis of our prices, discounts, and conditions as applicable on the date of delivery.
- c) We reserve ownership of as well as intellectual property rights in any cost estimates, preliminary designs, drawings, and the like. Such documents may not be made accessible to third parties without our written permission.

3. Obligation to deliver and obligation to accept delivery

- a) Delivery times agreed shall always be conditional on the correct and timely availability of supplies and raw materials. Our delivery times are approximate and non-binding. Delivery periods shall commence once all details regarding execution have been clarified. The delivery date shall be the shipment date. If shipment is delayed through no fault of our own, then the date of notification that the goods are ready for shipment is deemed the delivery date. Even if a fixed delivery date has been agreed, we shall only be in default if a written reminder is submitted to us. Partial deliveries shall be permissible. If the delivery time is exceeded, Buyer shall be entitled to claim damages only after a reasonable grace period granted to us has expired without success. Such claims for damages shall be limited to 0.5 per cent for each full week of the delay, in total, however, to no more than 5 per cent of the value of that part of the overall delivery which cannot be used in a timely manner or in accordance with the contract on account of the delay. Unlimited damages may only be claimed in case of wilful misconduct or gross negligence on our part.
- b) If disruptions in operations at our or our sub-suppliers' premises, or events of force majeure, strikes, or other circumstances for which we are not responsible prevent a timely delivery, the delivery period shall be reasonably extended. If on account of such events or circumstances delivery becomes impossible, our obligation to deliver shall no longer apply, and claims for damages shall be excluded. If Buyer proves that due to the delay a subsequent performance is of no interest to it, Buyer may rescind the contract to the exclusion of further claims. If we are in default of delivery, Buyer may grant a reasonable grace period and rescind the contract once such grace period has expired without success. For all orders with no specific delivery date we may demand a binding delivery date at the latest within 3 months of receipt of the order confirmation. If Buyer fails to comply with such demand within 3 weeks, we shall have the right to grant a grace period of 2 weeks, and to rescind the contract or deny delivery and claim damages upon expiry of such grace period.
- c) If technical acceptance testing under special conditions has been agreed upon, Buyer shall, upon receipt of our notification that the goods are ready for acceptance, perform such acceptance testing at our premises without delay and at its own expense. If acceptance testing is not performed despite a reasonable grace period having been granted, we shall have the right to ship the goods or to store them at Buyer's cost and risk. The goods will then be deemed accepted.

4. Shipment and passing of risk

In the absence of instructions to the contrary, we shall name the forwarding agent or the carrier. Shipping costs shall be borne by Buyer. Risk, including risk of attachment, passes to Buyer at the time the goods are handed over to the forwarding agent or the carrier, or, at the latest, when the goods leave our premises, even if free delivery has been agreed. If shipment is delayed for reasons for which Buyer is responsible, costs arising from the storage of the goods, at least, however, 0.7 per cent of the invoice amount per month shall be charged, beginning one month from the date of our notification that the goods are ready for shipment. This shall not affect the right to assert further claims arising from delayed acceptance. If for reasons for which Buyer is responsible shipment is delayed, risk shall pass to Buyer on the date on which the goods are placed at the disposal of Buyer. If for reasons for which we are not responsible shipment by the designated route/the designated means or to the designated place within the designated time period is not possible, we shall be entitled to make shipment by a different route/different means or to a different place; any additional costs resulting therefrom shall be borne by Buyer, who will be given the opportunity to comment beforehand. Minimum order value for free delivery: EUR 100.00 net. Transport insurance in the amount of EUR 5.90 per equipment delivery/per delivered item shall be charged.

5. Material defects

- With regard to material defects, we shall be liable as follows:
- a) All components or services where a material defect becomes apparent within the statutory period of limitation shall be repaired, replaced, or provided again free of charge, as we see fit, irrespective of the duration of operation, provided that the reason for the defect was already present at the time of the passing of risk.
 - b) Claims for material defects shall become time-barred after a period of two years. This provision shall not apply to the extent that the law pursuant to Sections 438 para. 1 No. 2 ("Bauwerke und Sachen für Bauwerke" (Buildings And Items For Buildings)), 479 para 1 ("Rückgriffsanspruch" (Right to Recourse)) and 634a para. 1 No. 2 ("Baumängel" (construction defects)) of the German ("BGB" (Civil Code) stipulates longer time periods, as well as in cases of death, injury to body or health, or in case of intentional or grossly negligent breach of duty, and whenever a defect is fraudulently concealed. The statutory provisions governing the suspension of the expiration, tolling, and recommencement of the statute of limitations shall remain unaffected.
 - c) Buyer shall notify us of any defects in writing without delay.
 - d) If a notification of defect is submitted, payments may be withheld in an amount reasonably proportionate to the material defect found. Buyer may only withhold payments if the notification of defect is submitted to us in writing in good time and is justified beyond doubt. In the event of an unjustified notification of defect, we shall

be entitled to demand reimbursement from Buyer of any expenses incurred by us.

- e) We shall first be granted the opportunity of subsequent performance within an adequate period of time with staff from our own customer service organisation.
- f) If subsequent performance fails, Buyer may, without prejudice to any claims for damages as stipulated under Item 7, rescind the contract or reduce the consideration.
- g) No defect claims shall exist where only an immaterial deviation from the agreed quality is present, where the impairment of use is immaterial, where there is normal wear and tear, or for defects which have occurred after the passing of risk as a consequence of faulty or negligent handling, excessive use, unsuitable operating materials, or defective construction work, or for defects which are the result of special external factors not accounted for in the contract, as well as in the event of non-reproducible software faults. If Buyer or a third party makes inexact changes or repairs, no defect claims shall exist for such changes or repairs or for the consequences thereof.
- h) Claims for compensation on the part of Buyer for expenses incurred for the purpose of subsequent performance, including without limitation costs for transportation, travel, work, or materials, shall be excluded to the extent that such expenses increase because the delivered equipment has subsequently been moved to a place other than Buyer's premises, unless moving the equipment was in keeping with its intended use.
- i) Buyer's right of recourse against us pursuant to Sec. 478 of the (German) Civil Code (Recourse of the Company) shall only exist to the extent that Buyer has not entered into an agreement with its customer which goes beyond the statutory defect claims. With regard to the scope of Buyer's right to recourse against us under Sec. 478 para. 2 of the (German) Civil Code, Item 7 hereinbelow shall also apply accordingly.
- j) In other respects, Item 7 (Other claims for damages) shall apply to claims for compensation. Further claims or claims other than those dealt with in this Item, made against us or our "Erfüllungsgehilfen" (i.e., persons employed by us to perform our obligations) by Buyer on the basis of a material defect, shall be excluded.

6. Industrial property rights, copyrights; Defects in title

- a) Unless agreed otherwise, our obligation to effect delivery free from third-party industrial property rights and copyrights (hereinafter Intellectual Property Rights, IPRs) shall be limited to the country of the designated place of delivery. Should a third party raise justified claims against Buyer for infringement of IPRs through deliveries made by us and used in accordance with the contract, we shall be liable vis-à-vis Buyer within the period defined in Item 5 as follows:
 - aa) We shall, at our option and at our cost, either obtain a right of use for the deliveries in question, amend such deliveries so as not to infringe the IPR, or replace them. Where this is not reasonably possible, Buyer may avail itself of its statutory right to rescind the contract or reduce the consideration.
 - ab) Our obligation to pay damages shall be governed by the provisions of Item 7.
 - ac) Our aforementioned obligations apply subject to Buyer informing us of any claims raised by third parties in writing without delay; an act of infringement shall not have been conceded, and any measures of defence and settlement negotiations shall be left to us. If Buyer ceases to use our delivery for reasons of mitigation of damages or for other important reasons, Buyer shall be obligated to point out to the third party that this does not constitute a concession of an IPR infringement.
 - b) Claims on the part of Buyer shall be excluded to the extent that it is itself responsible for the IPR infringement.
 - c) Claims on the part of Buyer are also excluded to the extent that the IPR infringement is caused by Buyer's own specific requirements, or by a use not foreseeable to us, or by Buyer making changes to the delivery or using it in combination with products not supplied by us.
 - d) In other respects, Buyer's claims provided for in Sub-item aa) shall be governed accordingly by the provisions of Item 5 in the event of an IPR infringement.
 - e) Where other defects in title are present, the provisions of Item 5 shall apply accordingly.
 - f) Further claims or claims other than those dealt with in this Item, made against us or our "Erfüllungsgehilfen" by Buyer on the basis of a defect in title, shall be excluded.

7. Impossibility and other claims for damages

- a) To the extent that delivery is impossible, Buyer shall be entitled to claim damages, except where we are not responsible for the impossibility. However, damages shall be limited to 10 per cent of the value of that part of the delivery which cannot be put to its intended use on account of the impossibility. Such limitation of liability shall not apply where it is prohibited by law in cases of wilful intent or gross negligence or in cases of death or injury to body or health; this shall not entail a change in the burden of proof to the detriment of Buyer. Buyer's right to rescind the contract remains unaffected.
- b) Damage claims and claims for compensation of expenses (hereinafter Claims for Compensation) on the part of Buyer, including but not limited to claims on account of breach of obligations under the contract or tort, shall be excluded, regardless of the legal basis on which they are raised.
- c) This shall not apply where a statutory liability exists, e.g., under product liability law, in cases of wilful intent or gross negligence or in cases of death, injury to body or health, or in cases of breach of material obligations under the contract. Claims for Compensation for breach of material obligations under the contract shall, however, be limited to foreseeable damage typical of the type of contract, except in cases of wilful intent or gross negligence, or in cases of death or injury to body or health, where a limitation of liability is prohibited by law. The above provisions shall not entail a change in the burden of proof to the detriment of Buyer.
- d) Any Claims for Compensation Buyer may have under this provision shall become time-barred upon expiry of the period of limitation applicable to claims for material defects as per Item 5. With regard to Claims for Compensation under product liability law, the statutory periods of limitation shall apply.

8. Terms of payment

- a) Our invoices shall be payable in cash, without any deductions, within 30 days of the date on which they were issued.
- b) The discount rate for early payment in cash can be seen from the offer and/or from the invoice.
- c) The acceptance of accepted bills of exchange (drafts) shall be subject to our specific agreement. If payment is made by means of drafts, or if partial payments have been agreed, no discount will be granted. Bills of exchange, cheques, and agreements for partial payment will be accepted, but Buyer's debt will not be cleared until actual receipt of the funds. Drafts must be domiciled at a Landeszentralbank. In all of the above cases, discount charges, bill charges, and costs shall be borne by Buyer.
- d) If Buyer is in default of payment, we shall charge default interest in an amount of 8 per cent above the base rate of the European Central Bank. We reserve the right to assert further claims for damages.

- e) If we receive information to the effect that Buyer's financial situation is unsatisfactory, or if Buyer is in default of payment, we shall have the right to amend our conditions of payment for orders yet to be executed, or to rescind the purchase contract.
- f) The contractor reserves the right to send invoices by mail or electronically by e-mail.

9. Retention of title

- The supplied goods shall remain our property until payment is received in full.
- a) All supplied goods remain our property (Goods Subject to Retention of Title) until all claims have been satisfied, including without limitation any balance claims we may still have under the business relationship. This applies also to claims which may arise in the future as well as to conditional claims, e.g., under accepted bills of exchange, and also when payment is made for specifically designated claims.
 - b) Our claims shall be incorporated into current accounts. Payments will always be offset against the oldest liabilities, even the debtor issues instructions to the contrary.
 - c) Goods Subject to Retention of Title may not be pledged or assigned by way of security. Buyer shall inform us without delay if the goods supplied by us become the subject of a compulsory enforcement procedure.
 - d) Buyer shall, at its own cost, obtain sufficient insurance cover for the supplied goods, in our favour, and in a way that will entitle us to collect the amount owed directly from the insurance carrier any time, or Buyer shall, at our request, assign the insurance claim to us.
 - e) Any treatment and processing of the Goods Subject to Retention of Title is deemed made for us as the manufacturer within the meaning of Sec. 950 of the (German) Civil Code and shall not entail liability on our part. The goods thus treated and processed are deemed Goods Subject to Retention of Title within the meaning of Item 10 a). Where Goods Subject to Retention of Title are processed or connected to or merged with other goods by Buyer, we shall obtain co-ownership in the new item proportionately to the invoice value of the Goods Subject to Retention of Title in relation to the invoice value of the other goods used. If our ownership ceases on account of the Goods Subject to Retention of Title being connected or merged, Buyer herewith assigns to us, with immediate effect, its ownership rights in the new product or item in an amount equivalent to the invoice value of the Goods Subject to Retention of Title and agrees to hold them for us free of charge. Our co-ownership rights are deemed Goods Subject to Retention of Title within the meaning of Item 10 f). Buyer shall have the right to re-sell the goods supplied within the scope of its normal business dealings; however, where a credit has been granted, Buyer shall retain title to the goods for our benefit and enter into a written agreement to that effect.
 - f) If Buyer re-sells the goods supplied by us – irrespective of their condition – then Buyer shall, upon entering into the contract, assign to us all claims to payment and return of the goods sold subject to retention of title to which it is entitled under the re-sale along with any ancillary rights, until our own claims arising from the supply of the goods have been satisfied in full. Buyer shall, at our request, submit to us at the end of each month a detailed inventory of the assigned claims, and hold for us in trust, separate from its other revenues, any monies received including bills of exchange and cheques from assigned claims, and make payment thereof to a special account for our free disposal. Expenses in connection with the collection of assigned claims shall be charged to Buyer.
 - g) If Buyer uses our goods to perform a work contract or a work performance contract, Buyer herewith assigns to us, with immediate effect, any claims under such contract in a scope equal to the scope of the claims arising from a re-sale.
 - h) If Buyer is in default of payment, we shall have the right to recover the goods. This shall not affect the right to claim performance of the purchase contract.
 - i) If the value of the collateral provided to us exceeds the value of the claims to be secured by more than 10 per cent, we shall be obligated to release the aforementioned collateral to that extent upon Buyer's request, as we see fit.

10. Moulds and tools

- a) To the extent that Buyer provides such items, they shall be submitted free of charge. They are deemed stored at Buyer's risk, and we are under no obligation to obtain insurance cover for them. We are entitled to adapt moulds and tools which have been submitted to us to the extent that this seems necessary for technical reasons or in order to minimize risks, without prejudice to Buyer's liability to submit only tools which are properly designed and manufactured for their intended use. Buyer shall bear any costs for maintenance, amendments, and replacements. We shall have the right to return to Buyer any time any moulds and tools which are not required. If we are unable to return such items and if Buyer fails to comply with our request to collect them, or if more than 3 years have elapsed since such items were last used, we shall have the right to destroy such moulds and tools. Any and all costs arising in connection with such items shall be borne by Buyer.
- b) Moulds and tools made or acquired by us for the purpose of executing Buyer's orders shall remain our property even if proportionate costs are charged to Buyer. Buyer may assert its copyright claims or industrial property right in such items vis-à-vis us only to the extent that it has pointed out to us that such claims exist and insofar as such rights have been expressly reserved. To the extent that Buyer provides drawings or other information for the moulds and tools to be manufactured or acquired by us, it shall be responsible for providing only documentation which is adequate for its intended use.

11. Severability

If any provision of these Terms and Conditions is found invalid or unenforceable this will not affect the validity of these Terms and Conditions as a whole. In that event, the parties hereto undertake to make every effort to replace the invalid provision by a valid, enforceable provision that will accomplish the purpose for which the parties intended it.

12. Place of performance, place of jurisdiction

The place of performance for deliveries shall be our factory, the place of performance for payments shall be Haiger. Any and all legal relations between ourselves and Buyer shall be governed by German law along with the United Nations Convention on Contracts for the International Sale of Goods (CISG) to the extent that it applies to our business relationship with Buyer. Any and all disputes, including but not limited to summary proceedings on bills of exchange or cheques, shall be settled by the competent court in Haiger having subject-matter jurisdiction, provided that Buyer is a "Vollkaufmann", i.e. a merchant subject to registration as defined in the German Commercial Code, a legal entity under public law, or a public special funds entity. We shall, however, also have the right to bring legal action at the competent court at Buyer's principal place of business.

Status as of 01/2018

JUSTUS



JUSTUS GmbH
Oranier Str. 1
35708 Haiger
Telefon + 49 (0) 2771 2630 - 200
Telefax + 49 (0) 2771 2630 - 209
E-Mail info@justus.de
www.justus.de

