

## WOOD RANGE COOKER

## RUSTICO-90 2.0

## AVAILABLE DESIGNS:

- (1) Black (right / left)
- (2) Bordeaux red (right / left)
- (3) Green (right / left)
- (4) Cream (right / left)
- (5) Soapstone (right / left)

## STANDARD SCOPE OF DELIVERY

- Rails for baking tray, including tray and inserted grid
- Elegant stove hand rail, stove frame from stainless steel
- Connection possibility right/left/rear/top (soapstone only on request).
- All round plinth (three-part)
- Height-adjustable feet (up to 900 mm)
- Drawer with robust rails

## OPTIONAL ACCESSORIES

Fire protection unit (except Soapstone)

**Option right - baking compartment and smoke pipe connection right**  
**Option left - baking compartment and smoke pipe connection left**  
**(Soapstone version only on request)**



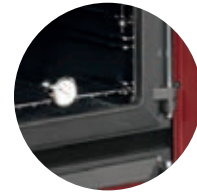
Cream, left



Elegant stove hand rail, stove frame from stainless steel



Green, right



Solid cast iron doors



Bordeaux red, right



Enamelled baking compartment



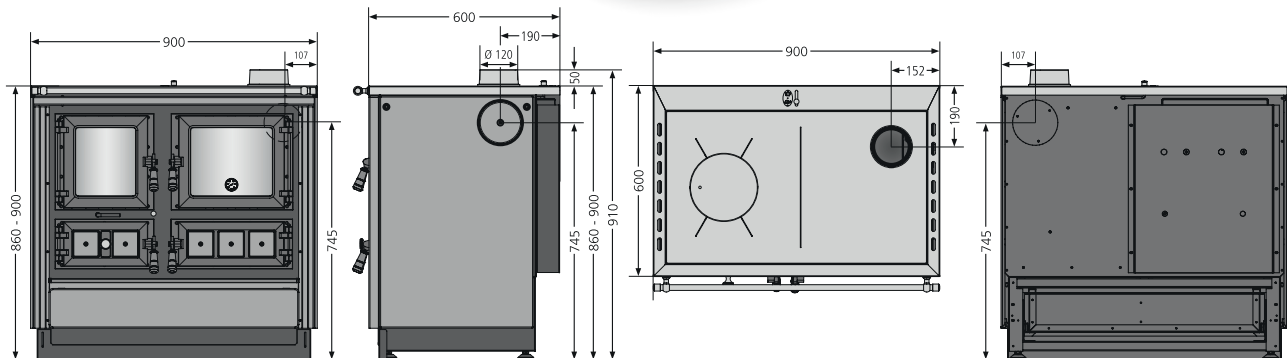
Soapstone, right



Wooden handles



Stovetop



Available designs	Order no.	EAN-Code
Rustico-90 2.0, Black, right (1)	1896 12	4250340910101
Rustico-90 2.0, Black, left (1)	1896 11	4250340910095
Rustico-90 2.0, Bordeaux red, right (2)	1896 22	4250340910149
Rustico-90 2.0, Bordeaux red, left (2)	1896 21	4250340910132
Rustico-90 2.0, Green, right (3)	1896 16	4250340910118
Rustico-90 2.0, Green, left (3)	1896 17	4250340910125
Rustico-90 2.0, Cream, right (4)	1896 42	4250340910163
Rustico-90 2.0, Cream, left (4)	1896 41	4250340910156
Rustico-90 2.0, Soapstone, right (5)	1896 24	4250340911504
Rustico-90 2.0, Soapstone, left (5)	1896 23	4250340911498

Energy efficiency class	A
Connection possibility	top / rear/ lateral
Nominal heat output	7,0 kW
Height	860 (up to 900) mm
Width steel / stone	900 / 915 mm
Depth	600 mm
Burning chamber W/H/D	210 / 220 / 450 mm
Size of baking compartment W/H/D	302 / 250 / 433 mm
Weight (incl. packaging) steel / stone	200 / 239 ca. kg
Ø Smoke pipe connection	120 mm
Required discharge pressure	0,11 mbar

