

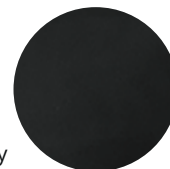
A+

WOOD STOVE

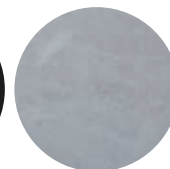
RENO R

*Slow combustion stove*AVAILABLE
DESIGNS:

- (1) Steel black
- (2) Soapstone, corpus steel grey
- (2) Soapstone, corpus steel black
- (3) Sandstone, corpus steel black



(1)



(2)



(3)



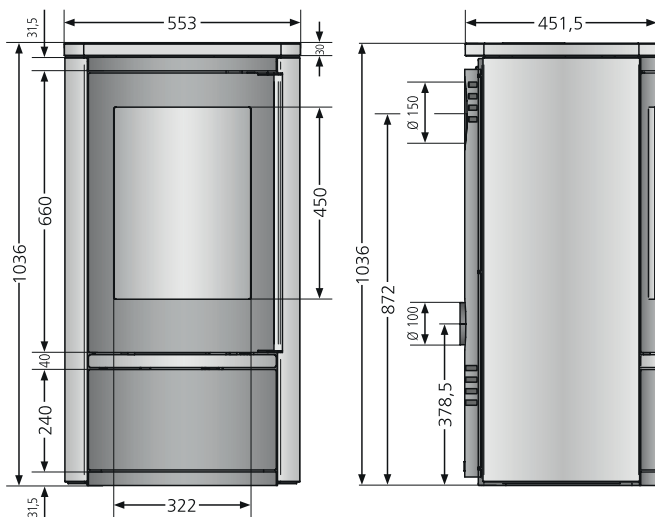
Reno R Soapstone, corpus steel steelgrey

Luftdurchströmter
StangengriffTür zur Holzlege
mit MagnetverschlussJUSTUS
Safe-VerschlussystemSTANDARD SCOPE
OF DELIVERY

- Automatic primary air control
- Stone version comes with cover plate and sides in stone
- Solid cast iron base
- Possibility for external combustion air connection comes as standard

The connecting piece for external combustion air is included in the scope of delivery and is already mounted.

The wood stove Reno R with JUSTUS safe-locking system meets all requirements of the DIBT (Z-43.12-353) certificate.



Slow combustion stove with Automatic primary air control. 12 hour lasting embers using brown coal briquettes. The wood stove can be operated overnight.



Available designs	Order no.	EAN-Code
Reno R, steel black	4800 11	4250340906241
Reno R, Soapstone, corpus steel grey	4800 22	4250340906258
Reno R, Soapstone, corpus steel black	4800 23	4250340909990
Reno R, Sandstone, corpus steel black	4800 42	4250340906326
Optional accessories	Order no.	EAN-Code
Connecting piece for combustion air supply	9200 69	4029807779991
Energy efficiency class	A+	
Connection possibility	top / rear	
Operation with external air	rear / bottom	
Nominal heat output	kW	6,0
Weight (incl. packaging) steel / stone	ca. kg	116 / 216
Room heating capability	m ³	124
Length of logs	cm	33
Exhaust gas mass flow	g/s	5,7
Exhaust gas temperature	°C	362
Required discharge pressure	mbar	0,12

Illustrations are given as indications only. Optical deviations are no defect.

JUSTUS