

## WOOD RANGE COOKER

## LINZ-81 2.0

## AVAILABLE DESIGNS:

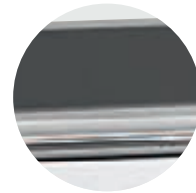
- (1) Black Chrome (right / left)  
(2) White Chrome (right / left)



Linz-81 2.0 White Chrome, right

Linz-81 2.0 Black Chrome, right

Option right - baking compartment  
and smoke pipe connection right  
Option left - baking compartment  
and smoke pipe connection left

Thermometer baking  
compartmentAsh drawer with  
rotating grid

Stovetop

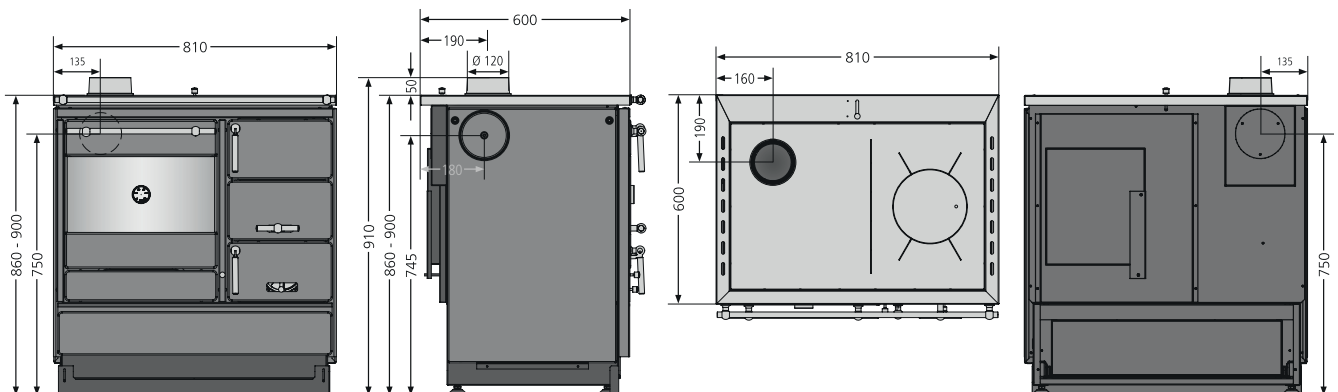
Extra large enamelled  
baking tray (400 mm)Adjustment winter-/sum-  
mer combustion possible  
(by use of a grid)

## STANDARD SCOPE OF DELIVERY

- Baking tray; inserted grid
- Ash drawer with rotating grid
- Grid for winter-/summer combustion
- Height adjustable feed (up to 900 mm)
- Drawer with robust rails

## OPTIONAL ACCESSORIES

- Fire protection unit



Available designs	Order no.	EAN-Code
Linz-81 2.0, White Chrome, right	1897 04	4250340910170
Linz-81 2.0, White Chrome, left	1897 05	4250340910187
Linz-81 2.0, Black Chrome, right	1897 12	4250340911986
Linz-81 2.0, Black Chrome, left	1897 11	4250340911979
Energy efficiency class	A	
Connection possibility	top / rear / lateral	
Nominal heat output	kW	7,0
Height	mm	860 (up to 900)
Width	mm	810
Depth	mm	600
Burning chamber W/H/D	mm	-
Burning chamber winter combustion W/H/D	mm	200 / 300 / 340
Burning chamber summer combustion W/H/D	mm	200 / 190 / 340
Size of baking compartment W/H/D	mm	350 / 270 / 470
Weight (incl. packaging)	ca. kg	168
Ø Smoke pipe connection	mm	120
Required discharge pressure	mbar	0,11

