

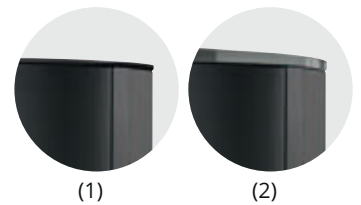
A+

WOOD STOVE

## FARO TOP 2.0

## AVAILABLE DESIGNS:

- (1) Cover plate steel black, corpus steel black  
 (2) Cover plate glass, corpus steel black



(1)

(2)

## STANDARD SCOPE OF DELIVERY

- Solid cast iron base with cast iron grid
- Solid cast iron door
- Solid cast iron wood storage door
- Profiled firebox lining
- Possibility for external combustion air connection comes as standard

Please order the connecting piece for external air connection separately.



Faro Top 2.0, cover plate glass, corpus steel black



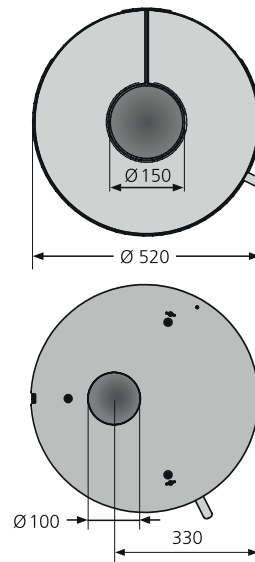
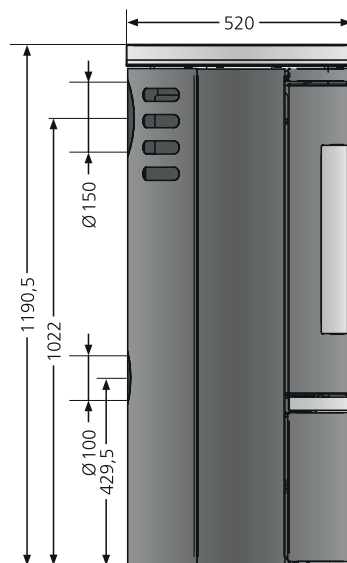
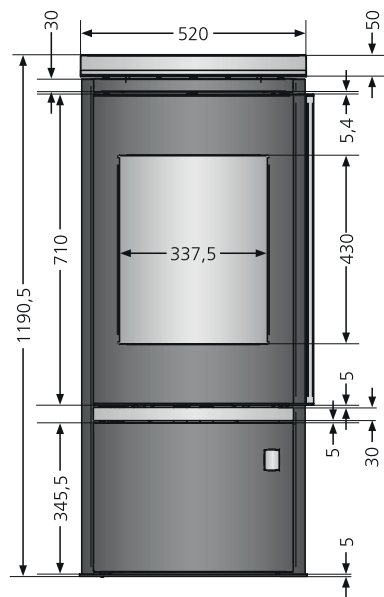
Air flow XXL bar handle with Snap lock system



Solid cast iron wood storage door



Profiled vermiculite firebox and cast iron grid



Available designs	Order no.	EAN-Code
Faro Top 2.0, cover plate steel black, corpus steel black	5686 50	4250340909495
Faro Top 2.0, cover plate glass, corpus steel black	5686 51	4250340909877
Optional accessories	Order no.	EAN-Code
Connecting piece for combustion air supply	9200 69	4029807779991
Rotating tray steel black, Ø 510 mm (for top connection)	9214 73	4029808539433

Energy efficiency class		A+
Connection possibility		top / rear
Operation with external air supply		rear / bottom
Nominal heat output	kW	6,0
Weight (incl. packaging) steel / glass	ca. kg	154 / 154
Room heating capability	m <sup>3</sup>	124
Length of logs	cm	33
Exhaust gas mass flow	g/s	6,4
Exhaust gas temperature	° C	262
Required discharge pressure	mbar	0,12

Illustrations are given as indications only. Optical deviations are no defect.

**JUSTUS**