

A+

WOOD STOVE

BAVARIA



(1)

(2)

(3)

(4)

AVAILABLE DESIGNS:

- (1) Ceramic Maple white with base
- (2) Ceramic Bordeaux red with base
- (3) Ceramic Green with base
- (4) Ceramic Anthracite with base

STANDARD SCOPE OF DELIVERY

- Preassembled Ceramic
- Base plastered with mineral plaster

Base separately prepared.
Easy assembling.



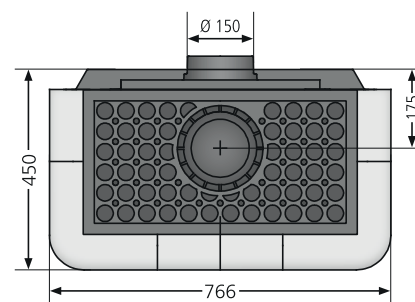
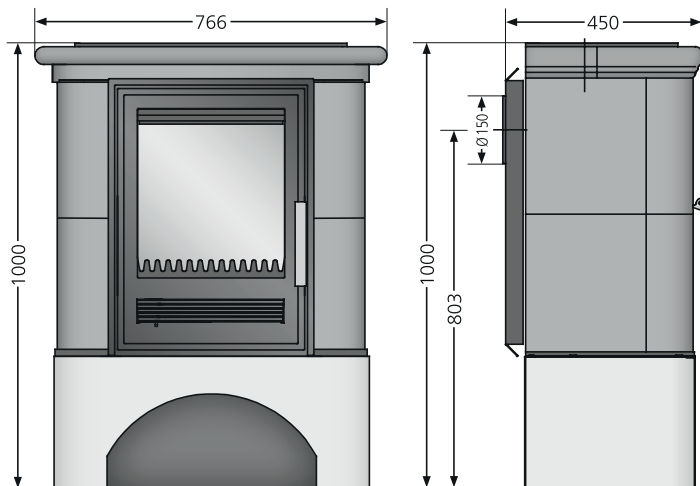
Solid cast iron door



Bavaria Ceramic Anthracite with base



Bavaria Ceramic Bordeaux red with base



24h

144
m³

>80
%



33cm

Available designs	Order no.	EAN-Code
Bavaria, Ceramic Maple white with base	6347 50	4250340904155
Bavaria, Ceramic Bordeaux red with base	6347 51	4250340904407
Bavaria, Ceramic Green with base	6347 52	4250340904469
Bavaria, Ceramic Anthracite with base	6347 11	4250340911481
Energy efficiency class		A+
Connection possibility		top / rear
Nominal heat output	kW	7,0
Weight (incl. packaging)	ca. kg	170
Room heating capability	m ³	144
Length of logs	cm	33
Exhaust gas mass flow	g/s	8,7
Exhaust gas temperature	°C	271
Required discharge pressure	mbar	0,12

Illustrations are given as indications only. Optical deviations are no defect.

JUSTUS