

A+

WOOD STOVE

## AUSTIN 7

## AVAILABLE DESIGNS:

- (1) Steel black  
 (2) Soapstone, corpus steel black  
 (3) Limestone cream, corpus steel black



(1)



(2)



(3)

## STANDARD SCOPE OF DELIVERY

- Stone version comes with cover plate
- Air flow handle
- Possibility for external combustion air connection comes as standard

Please order the connecting piece for external air connection separately.

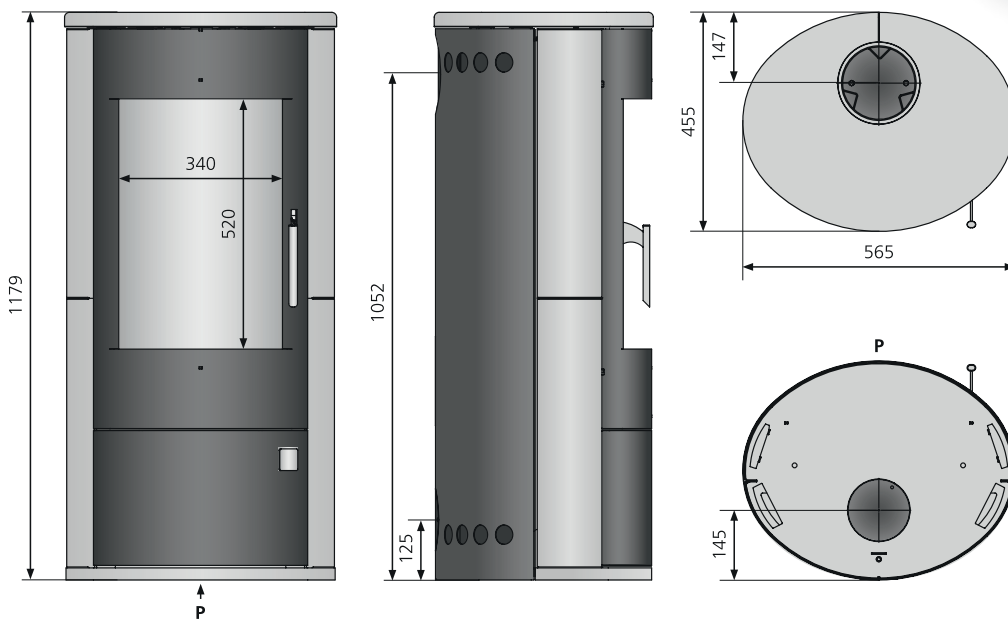
Air flow handle



External combustion air connection



Austin 7, Limestone cream, corpus steel black



Available designs	Order no.	EAN-Code
Austin 7, steel black	4857 11	4250340907750
Austin 7, Soapstone, corpus steel black	4857 23	4250340907774
Austin 7, Limestone cream, corpus steel black	4857 87	4250340907873
Optional accessories	Order no.	EAN-Code
Connecting piece for combustion air supply	9200 69	4029807779991
Energy efficiency class	A+	
Connection possibility	top / rear	
Operation with external air supply	rear / bottom	
Nominal heat output	kW	7,0
Weight (incl. packaging) steel / stone	ca. kg	147 / 164
Room heating capability	m <sup>3</sup>	144
Length of logs	cm	30
Exhaust gas mass flow	g/s	5,7
Exhaust gas temperature	°C	347
Required discharge pressure	mbar	0,12

Illustrations are given as indications only. Optical deviations are no defect.

JUSTUS